



**(en) Parts Manual  
MAXI-POWER™ 25**



## TABLE OF CONTENTS

### 1.0 TRAILER PARTS GROUP

United Alloy Trailer Axle, Jack, and Coupler .....	(1.1)
Triton Trailer Axle, Jack, and Coupler .....	(1.2)
Step Plate .....	(1.3)
Front and Top Enclosure Panels .....	(1.4)
Front and Top Enclosure Panels Deep Sea .....	(1.5)
Left Enclosure Panels and Doors .....	(1.6)
Left Enclosure Panels and Doors Deep Sea .....	(1.7)
Right Enclosure Panels and Doors .....	(1.8)
Right Enclosure Panels and Doors Deep Sea .....	(1.9)
Rear Enclosure Panels .....	(1.10)
Rear Enclosure Panels Deep Sea .....	(1.11)

### 2.0 ENGINE AND GENERATOR GROUP

Isuzu 4LE2T Engine Group .....	(2.1)
Engine Intake Group .....	(2.2)
Engine Exhaust Group .....	(2.3)
Engine Cooling Group .....	(2.4)
Fuel Tank and Fuel Lines .....	(2.5)
Fuel Tank and Fuel Lines Deep Sea .....	(2.6)
Generator Assembly Group .....	(2.7)

### 3.0 ELECTRICAL GROUP

Key Start Control Box Group .....	(3.1)
Deep Sea Control Box Group .....	(3.2)
Key Start Outlet Box Group .....	(3.3)
Deep Sea Outlet Box Group .....	(3.4)
Battery Cables Group .....	(3.5)
United Alloy Trailer Tail Lights and Harness .....	(3.6)

# Maxi-Power™ 25

## TABLE OF CONTENTS

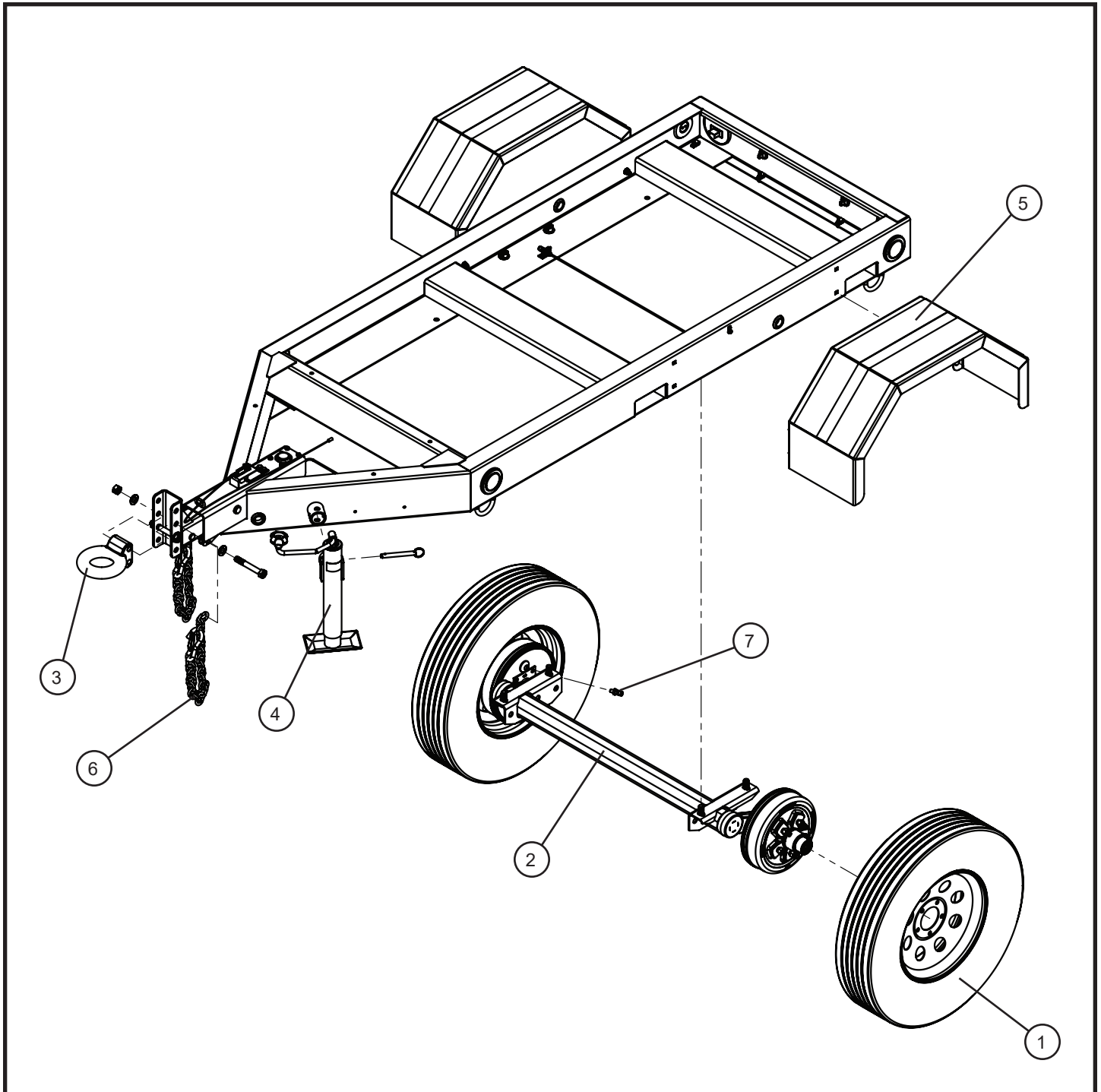
### 3.0 ELECTRICAL GROUP (CONTINUED)

Triton Trailer Tail Lights and Harness .....	(3.7)
Key Start Cam Lock Door Group .....	(3.8)
Key Start Cam Lock Plate Weldment Group .....	(3.9)
Deep Sea Cam Lock Group .....	(3.10)
Key Start Block Heater, Battery Heater and Charger .....	(3.11)
Deep Sea Block Heater, Battery Heater and Charger .....	(3.12)
Battery Disconnect .....	(3.13)

### 4.0 DECALS

Left and Top Side Enclosure Decals .....	(4.1)
Right Side Enclosure Decals .....	(4.2)
Front and Rear Side Enclosure Decals .....	(4.3)
Enclosure Interior Decals .....	(4.4)

## 1.1 - United Alloy Trailer Axle, Jack, and Coupler



# Maxi-Power™ 25

SN 21-000001 and UP

## 1.1 - United Alloy Trailer Axle, Jack, and Coupler

Item	Allmand No.	Part Description	Qty.
1	113444	WHEEL W/ TIRE ASSEMBLY, 2150 LB CAPACITY	4
2	113446	3.5K TORSION AXLE (INCLUDES HARDWARE)	2
3	113449	3" CHANNEL MOUNT TOW RING	1
4	113450	TUBE MOUNT 3K TOP WIND JACK	1
5	113455	MP 25 FENDER (INCLUDES HARDWARE AND GRIP TAPE)	2
	113458	MP 25 FENDER GRIP TAPE KIT	2
6	113462	MP 25 SAFETY TOW CHAINS	2
7	113465	MP 25 RUBBER BRAKE HOSE W/ END FITTINGS (NOT COMPLETELY SHOWN)	1
NS	113461	MASTER CYLINDER BRAKE ACTUATOR	1
NS	113481	MP 25 STEEL BRAKE LINE KIT	1

NS - Not Shown

\* \* \* - Contact Allmand for more information.

## 1.2 - Triton Trailer Axle, Jack, and Coupler

**To Be Determined**

000000\_A

# Maxi-Power™ 25

SN 21-000001 and UP

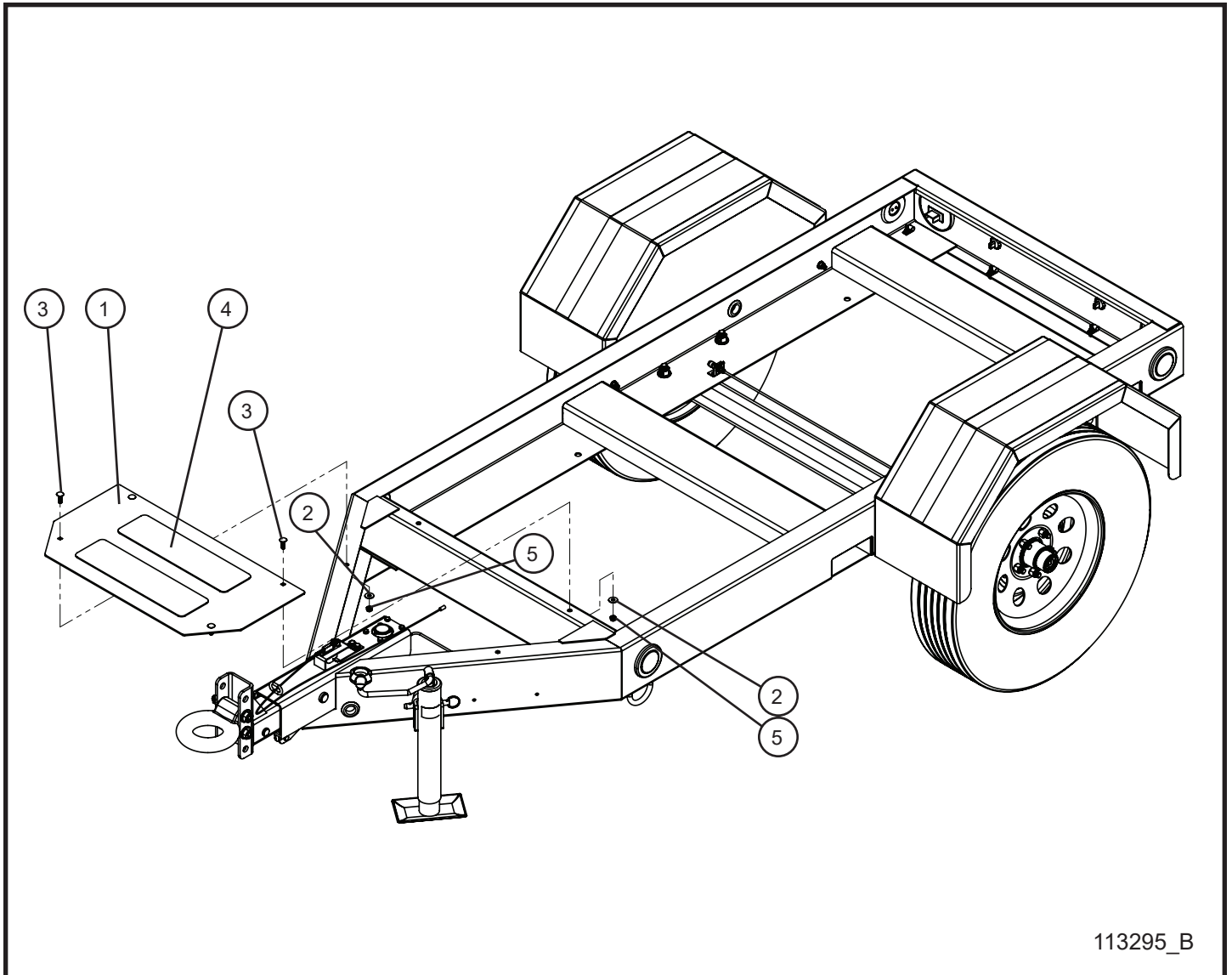
## 1.2 - Triton Trailer Axle, Jack, and Coupler

Item	Allmand No.	Part Description	Qty.
1	***	to be determined	
2	***		
3	***		
4	***		
5	***		
6	***		
7	***		
8	***		
9	***		
10	***		

NS - Not Shown

\*\*\* - Contact Allmand for more information.

## 1.3 - Step Plate



113295\_B



# Maxi-Power™ 25

SN 21-000001 and UP

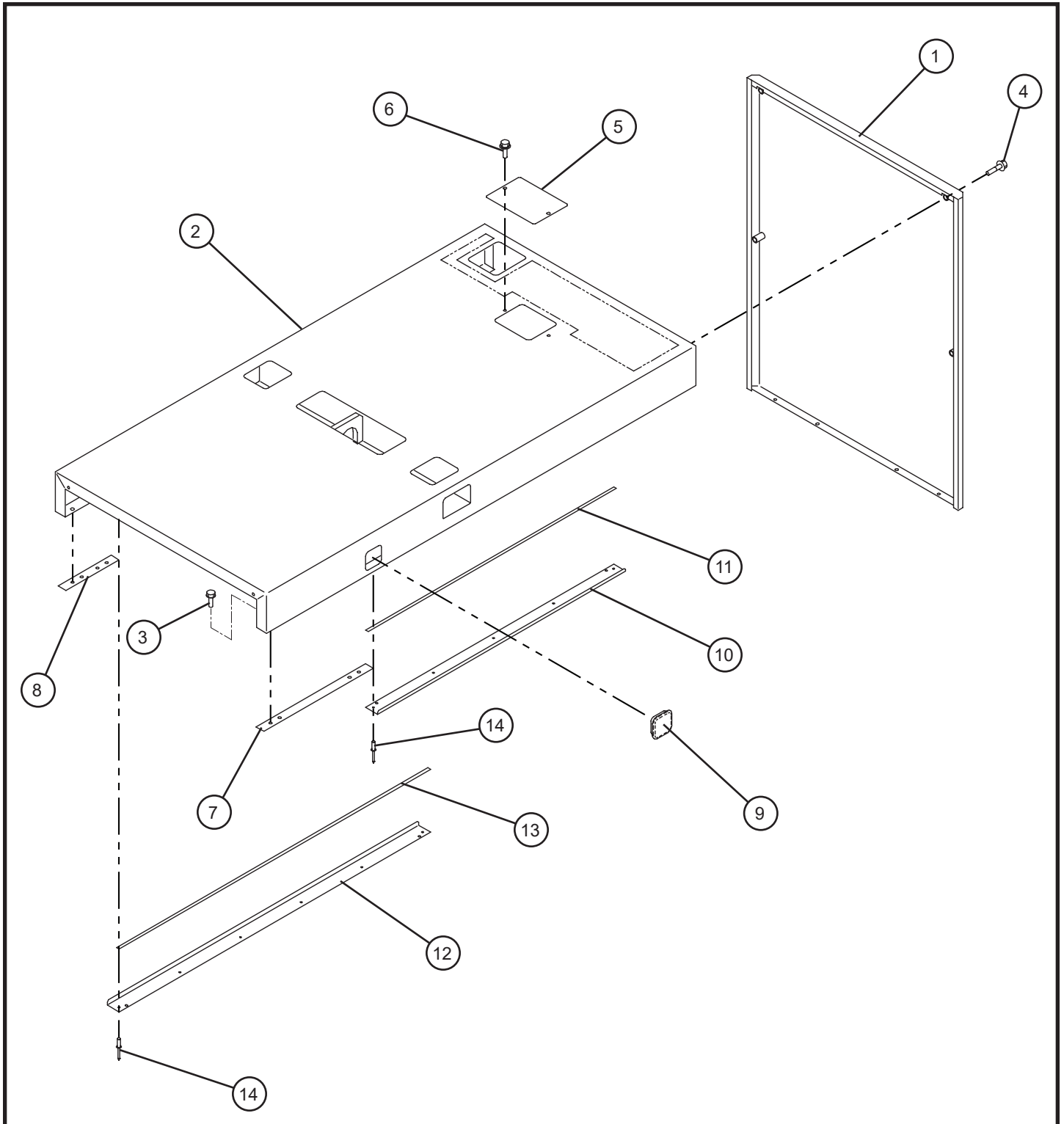
## 1.3 - Step Plate

Item	Allmand No.	Part Description	Qty.
1	110391P	STEP PLATE MAXI-POWER 25	1
2	047010	5/16 FLAT WASHER	4
3	053020	5/16-18 x 1 CARRIAGE BOLT	4
4	062006	DIE CUT ANTI SKID TAPE	2
5	044033	5/16-18 NYLOCK HEX NUT	4

NS - Not Shown

\* \* \* - Contact Allmand for more information.

## 1.4 - Front and Top Enclosure Panels



# Maxi-Power™ 25

SN 21-000001 and UP

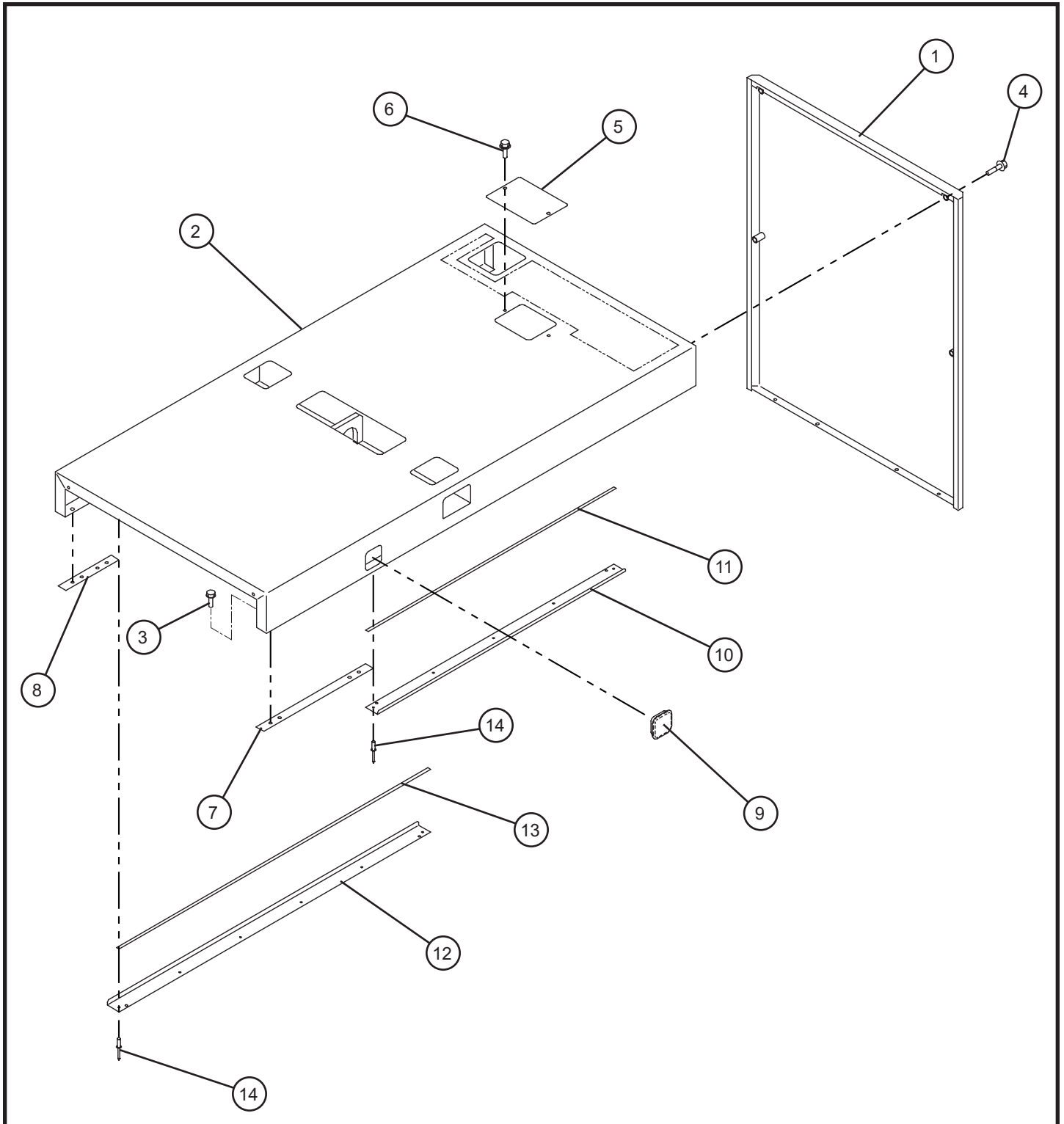
## 1.4 - Front and Top Enclosure Panels

Item	Allmand No.	Part Description	Qty.
1	110513	COVER	1
2	110670	TOP COVER	1
	***	TOP COVER	1
3	110515	FLANGE BOLT	21
	***	BOLT, W/W	21
4	***	BOLT, W/W	8
5	110472	COVER	1
6	***	BOLT, W/W	2
7	***	CUSHION RUBBER	1
8	***	CUSHION RUBBER	1
9	***	CAP	2
10	***	BRACKET	1
11	***	SEAL RUBBER	1
12	***	BRACKET	1
13	***	SEAL RUBBER	1
14	***	BLIND RIVET	11
NS	***	URETHANE FOAM KIT	1
NS	***	URETHANE FOAM KIT	1
NS	***	GROMMET	5
NS	110514	FLANGE BOLT	17
NS	***	BOLT, W/W	19

NS - Not Shown

\*\*\* - Contact Allmand for more information.

## 1.5 - Front and Top Enclosure Panels Deep Sea



# Maxi-Power™ 25

SN 21-000001 and UP

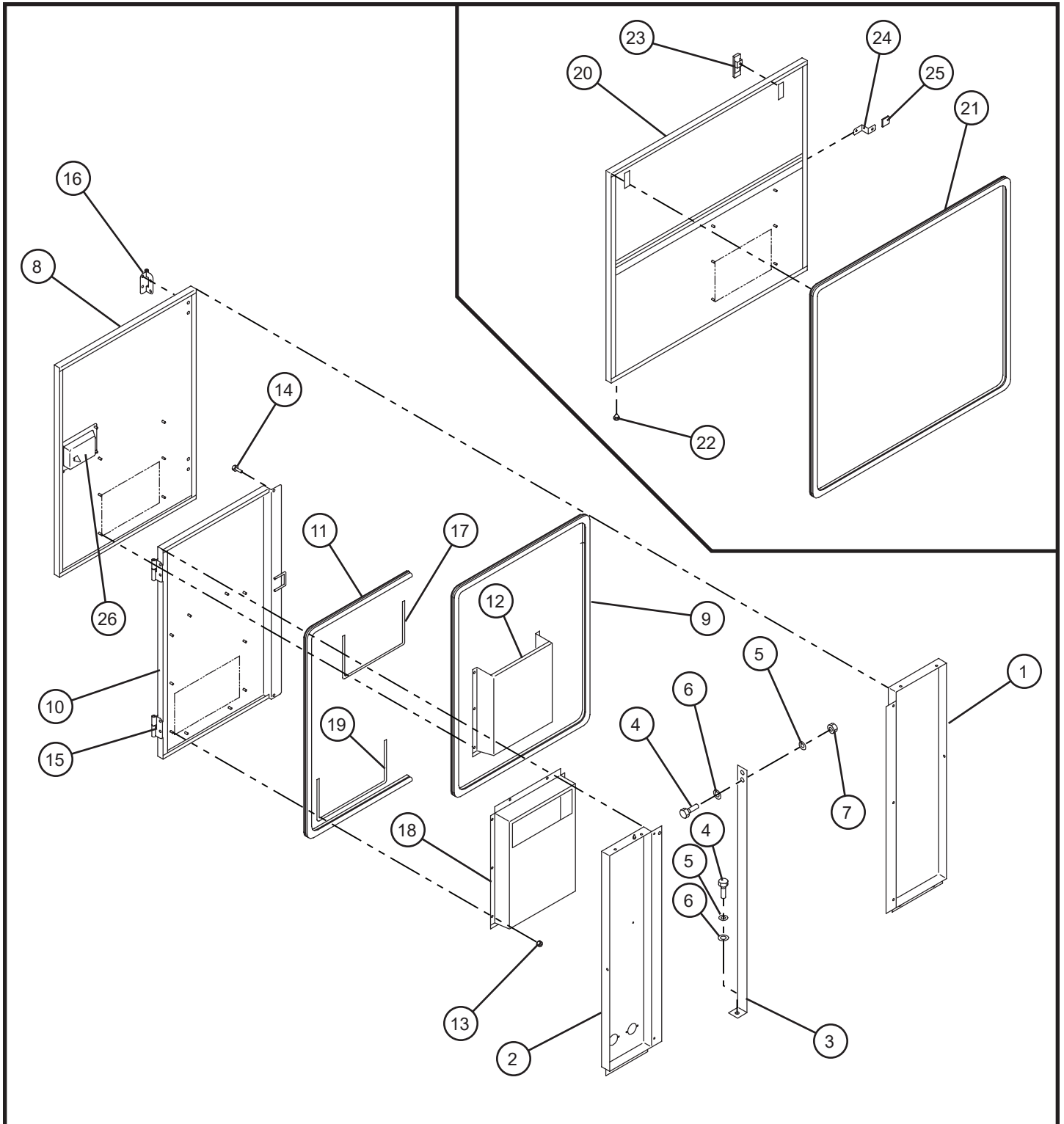
## 1.5 - Front and Top Enclosure Panels Deep Sea

Item	Allmand No.	Part Description	Qty.
1	110513	COVER	1
2	***	TOP COVER	1
3	110515	FLANGE BOLT	21
	***	BOLT, W/W	21
4	***	BOLT, W/W	8
5	110472	COVER	1
6	***	BOLT, W/W	2
7	***	CUSHION RUBBER	1
8	***	CUSHION RUBBER	1
9	***	CAP	2
10	***	BRACKET	1
11	***	SEAL RUBBER	1
12	***	BRACKET	1
13	***	SEAL RUBBER	1
14	***	BLIND RIVET	11
NS	***	URETHANE FOAM KIT	1
NS	***	GROMMET	5
NS	110514	FLANGE BOLT	17
NS	***	BOLT, W/W	19

NS - Not Shown

\*\*\* - Contact Allmand for more information.

## 1.6 - Left Enclosure Panels and Doors



# Maxi-Power™ 25

SN 21-000001 and UP

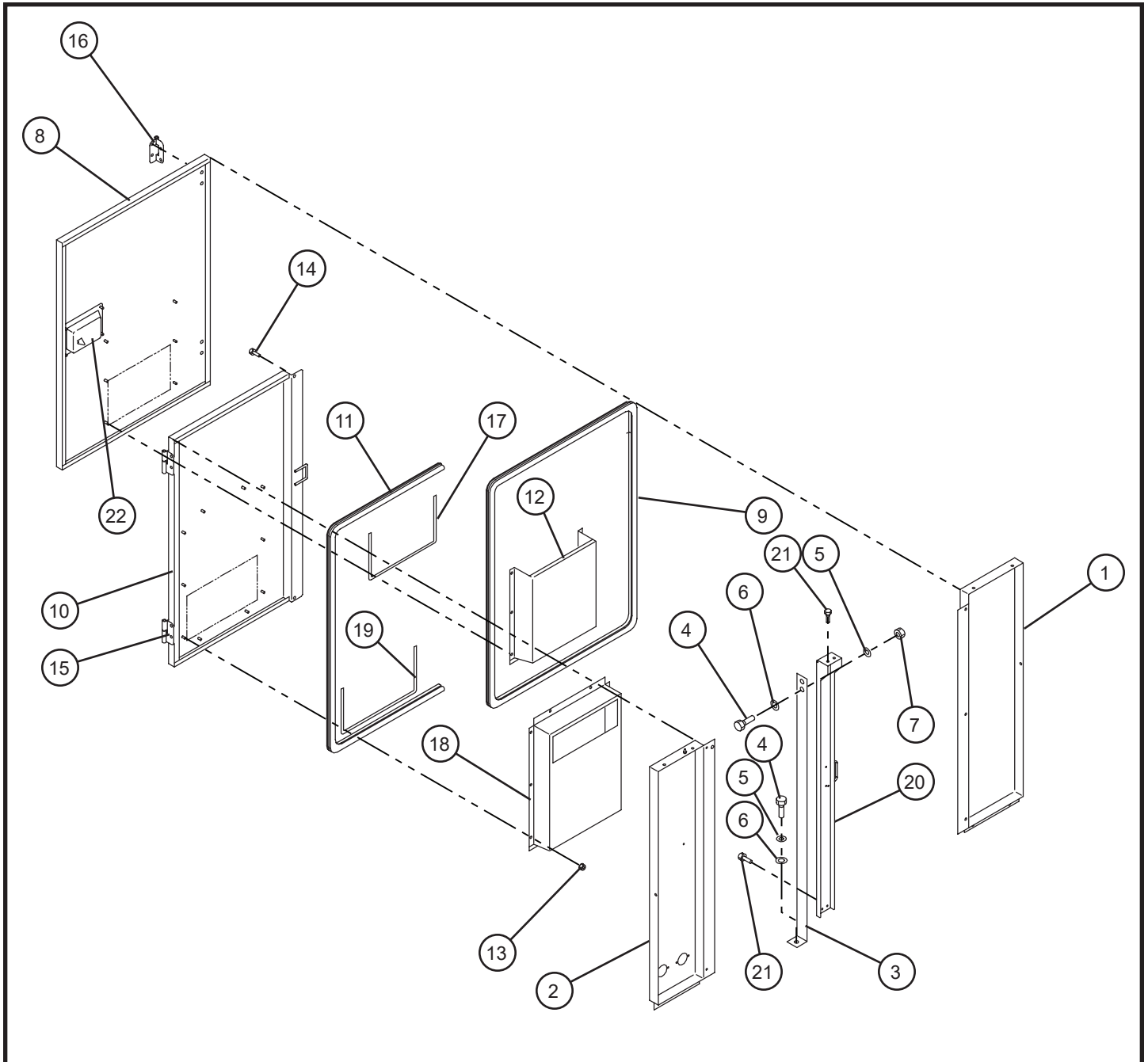
## 1.6 - Left Enclosure Panels and Doors

Item	Allmand No.	Part Description	Qty.
1	***	COVER	1
2	***	COVER	1
3	***	BRACKET	1
4	***	BOLT	7
5	***	SPRING WASHER	7
6	***	PLAIN WASHER	7
7	***	HEXAGON FLANGE NUT	2
8	***	DOOR	1
9	***	SEAL RUBBER	1
10	***	DOOR	1
11	***	SEAL RUBBER	1
12	***	DUCT	1
13	***	HEXAGON FLANGE NUT	54
14	110514	FLANGE BOLT	17
15	***	HINGE	8
16	***	HINGE	4
17	***	SEAL RUBBER	1
18	***	DUCT	1
19	***	SEAL RUBBER	1
20	110677	DOOR	1
21	***	SEAL RUBBER	1
22	***	RUBBER	1
23	***	LATCH	3
24	***	PLATE	2
25	***	CAP	4
26	110499	LATCH ASSEMBLY	3
	***	KEY	1
	***	CUSHION RUBBER	3
NS	***	URETHANE FOAM KIT	1
NS	***	URETHANE FOAM KIT	1
NS	***	DUCT	1
NS	***	SEAL RUBBER	1

NS - Not Shown

\*\*\* - Contact Allmand for more information.

## 1.7 - Left Enclosure Panels and Doors Deep Sea





# Maxi-Power™ 25

SN 21-000001 and UP

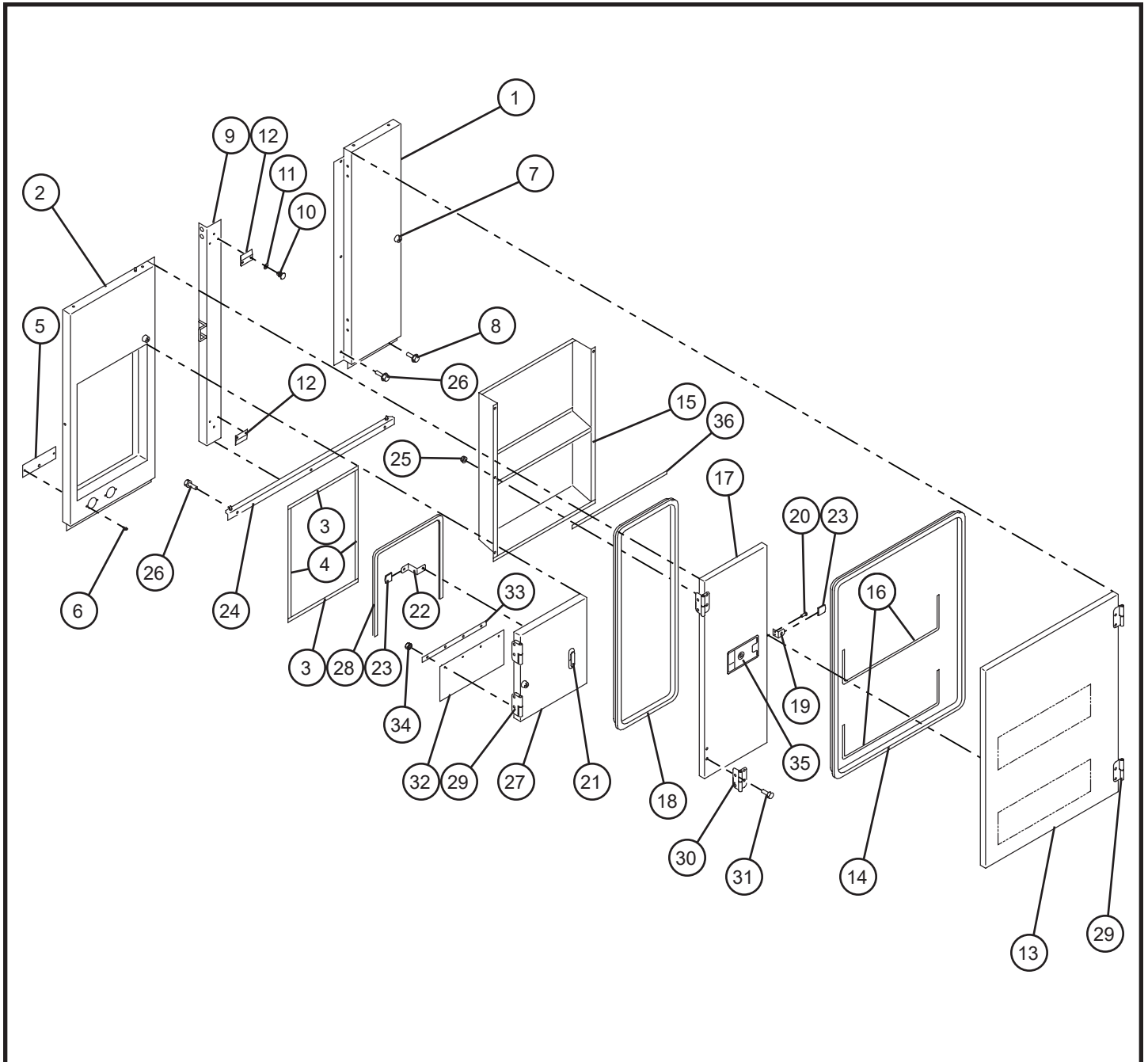
## 1.7 - Left Enclosure Panels and Doors Deep Sea

Item	Allmand No.	Part Description	Qty.
1	***	COVER	1
2	***	COVER	1
3	***	BRACKET	1
4	***	BOLT	7
5	***	SPRING WASHER	7
6	***	PLAIN WASHER	7
7	***	HEXAGON FLANGE NUT	2
8	***	DOOR	1
9	***	SEAL RUBBER	1
10	***	DOOR	1
11	***	SEAL RUBBER	1
12	***	DUCT	1
13	***	HEXAGON FLANGE NUT	54
14	***	BOLT, W/W	19
15	***	HINGE	8
16	***	HINGE	4
17	***	SEAL RUBBER	1
18	***	DUCT	1
19	***	SEAL RUBBER	1
20	117808P	VERTICAL SUPPORT DEEP SEA MP25	1
21	055001	M6-1.0 x 20 HEX HEAD FLANGE BOLT	1
22	110499	LATCH ASSEMBLY	3
	***	KEY	1
	***	CUSHION RUBBER	3
NS	***	URETHANE FOAM KIT	1
NS	***	DUCT	1
NS	***	SEAL RUBBER	1

NS - Not Shown

\*\*\* - Contact Allmand for more information.

## 1.8 - Right Enclosure Panels and Doors



# Maxi-Power™ 25

SN 21-000001 and UP

## 1.8 - Right Enclosure Panels and Doors

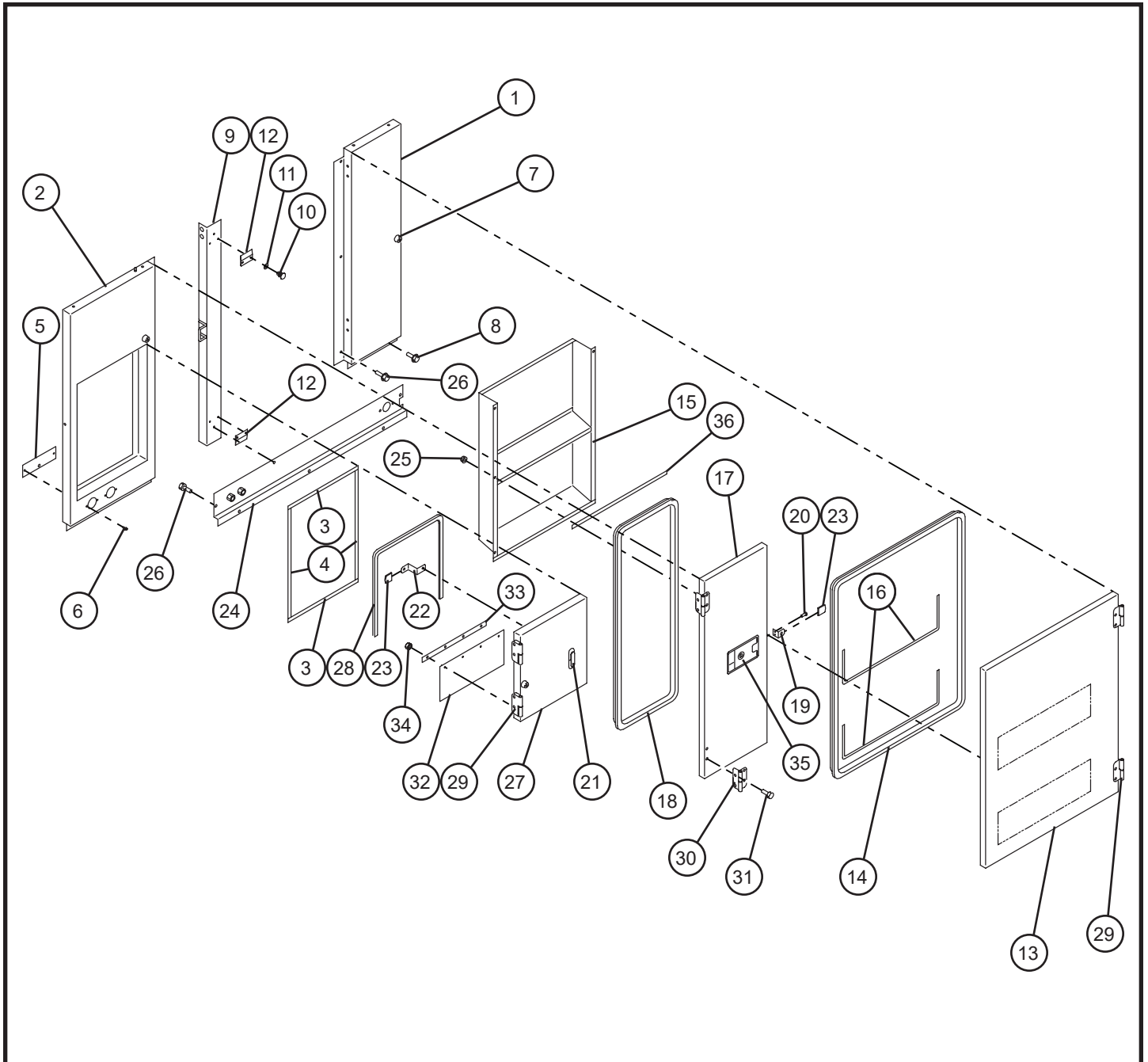
Item	Allmand No.	Part Description	Qty.
1	110661	COVER	1
2	110680	COVER	1
3	***	SEAL RUBBER	2
4	***	SEAL RUBBER	2
5	***	COVER	1
6	***	SCREW	2
7	***	RUBBER	6
8	110515	FLANGE BOLT	21
	***	BOLT, W/W	21
9	***	BRACKET	1
	***	BRACKET	1
10	***	CAP	6
11	***	PLAIN WASHER	4
12	***	CUSHION RUBBER	2
13	110678	DOOR	1
14	***	SEAL RUBBER	1
15	***	DUCT	1
16	***	SEAL RUBBER	1
17	110696	DOOR	1
18	***	SEAL RUBBER	1
19	***	BRACKET	1
20	***	SCREW	2
21	***	LATCH	3
22	***	PLATE	1
23	***	CAP	4
24	***	BRACKET	1
25	***	HEXAGON FLANGE NUT	54
26	110514	FLANGE BOLT	17
27	***	DOOR	1
28	***	SEAL RUBBER	1
29	***	HINGE	8
30	***	HINGE	4
31	***	BOLT	48
32	***	CUSHION RUBBER	1
33	***	PLATE	1
34	***	LOCKING NUT	6
35	110499	LATCH ASSEMBLY	3
	***	KEY	1
	***	CUSHION RUBBER	3
36	***	SEAL RUBBER	1
NS	***	URETHANE FOAM KIT	1
NS	***	URETHANE FOAM KIT	1

NS - Not Shown

\*\*\* - Contact Allmand for more information.

©2020 Allmand®

## 1.9 - Right Enclosure Panels and Doors Deep Sea



# Maxi-Power™ 25

SN 21-000001 and UP

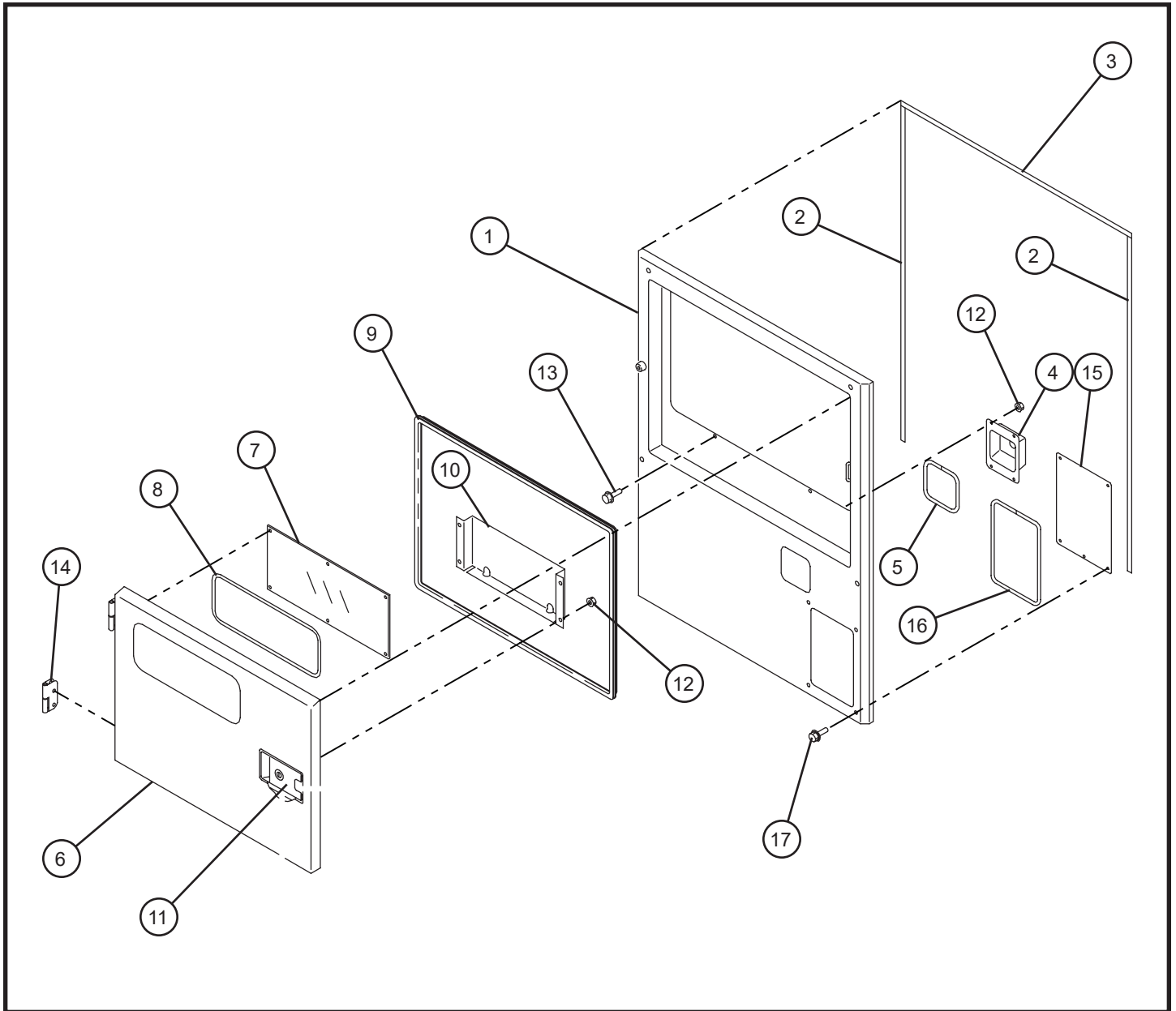
## 1.9 - Right Enclosure Panels and Doors Deep Sea

Item	Allmand No.	Part Description	Qty.
1	110661	COVER	1
2	***	COVER	1
3	***	SEAL RUBBER	2
4	***	SEAL RUBBER	2
5	***	COVER	1
6	***	SCREW	2
7	***	RUBBER	6
8	110515	FLANGE BOLT	20
	***	BOLT, W/W	21
9	***	BRACKET	1
10	***	CAP	6
11	***	PLAIN WASHER	4
12	***	CUSHION RUBBER	2
13	***	DOOR	1
14	***	SEAL RUBBER	1
15	***	DUCT	1
16	***	SEAL RUBBER	2
17	***	DOOR	1
18	***	SEAL RUBBER	1
19	***	BRACKET	1
20	***	SCREW	2
21	***	LATCH	3
22	***	PLATE	1
23	***	CAP	4
24	***	BRACKET	1
25	***	HEXAGON FLANGE NUT	54
26	***	BOLT, W/W	19
27	***	DOOR	1
28	***	SEAL RUBBER	1
29	***	HINGE	8
30	***	HINGE	4
31	***	BOLT	48
32	***	CUSHION RUBBER	1
33	***	PLATE	1
34	***	LOCKING NUT	6
35	110499	LATCH ASSEMBLY	3
	***	KEY	1
	***	CUSHION RUBBER	3
36	***	SEAL RUBBER	1
NS	***	URETHANE FOAM KIT	

NS - Not Shown

\*\*\* - Contact Allmand for more information.

## 1.10 - Rear Enclosure Panels



# Maxi-Power™ 25

SN 21-000001 and UP

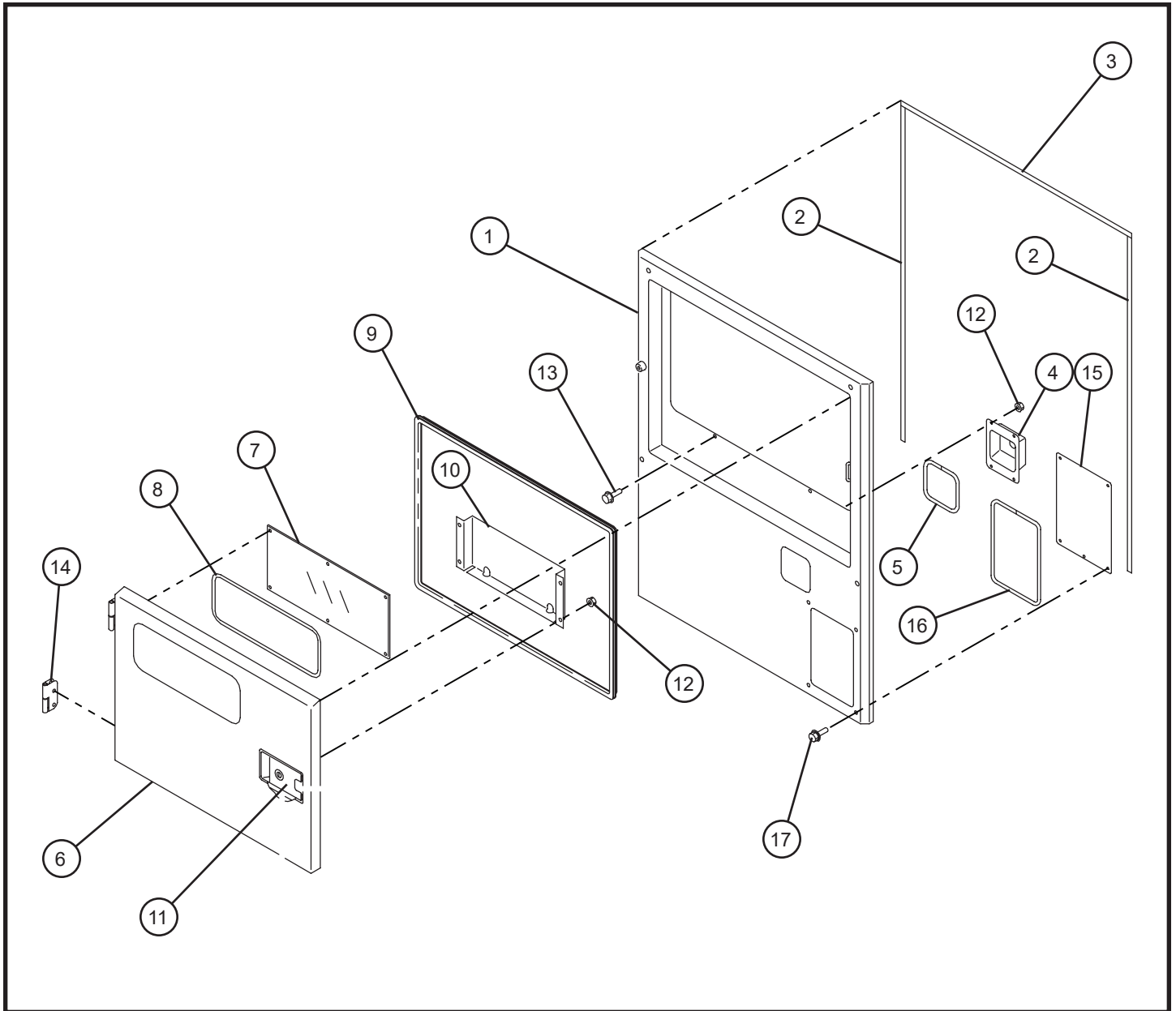
## 1.10 - Rear Enclosure Panels

Item	Allmand No.	Part Description	Qty.
1	110685	COVER	1
	***	COVER	1
2	***	SEAL RUBBER	2
3	***	SEAL RUBBER	1
4	110681	COVER	1
5	***	SEAL RUBBER	1
6	110676	DOOR	1
7	110693	WINDOW GLASS	1
8	***	SEAL RUBBER	1
9	***	SEAL RUBBER	1
10	***	TOOL BOX	1
11	110499	LATCH ASSEMBLY	3
	***	KEY	1
	***	CUSHION RUBBER	3
12	***	HEXAGON FLANGE NUT	54
13	110514	FLANGE BOLT	17
14	***	HINGE	8
15	***	COVER	1
16	***	SEAL RUBBER	1
17	***	BOLT, W/W	4
NS	***	URETHANE FOAM KIT	1
NS	***	URETHANE FOAM KIT	1

NS - Not Shown

\*\*\* - Contact Allmand for more information.

## 1.11 - Rear Enclosure Panels Deep Sea





# Maxi-Power™ 25

SN 21-000001 and UP

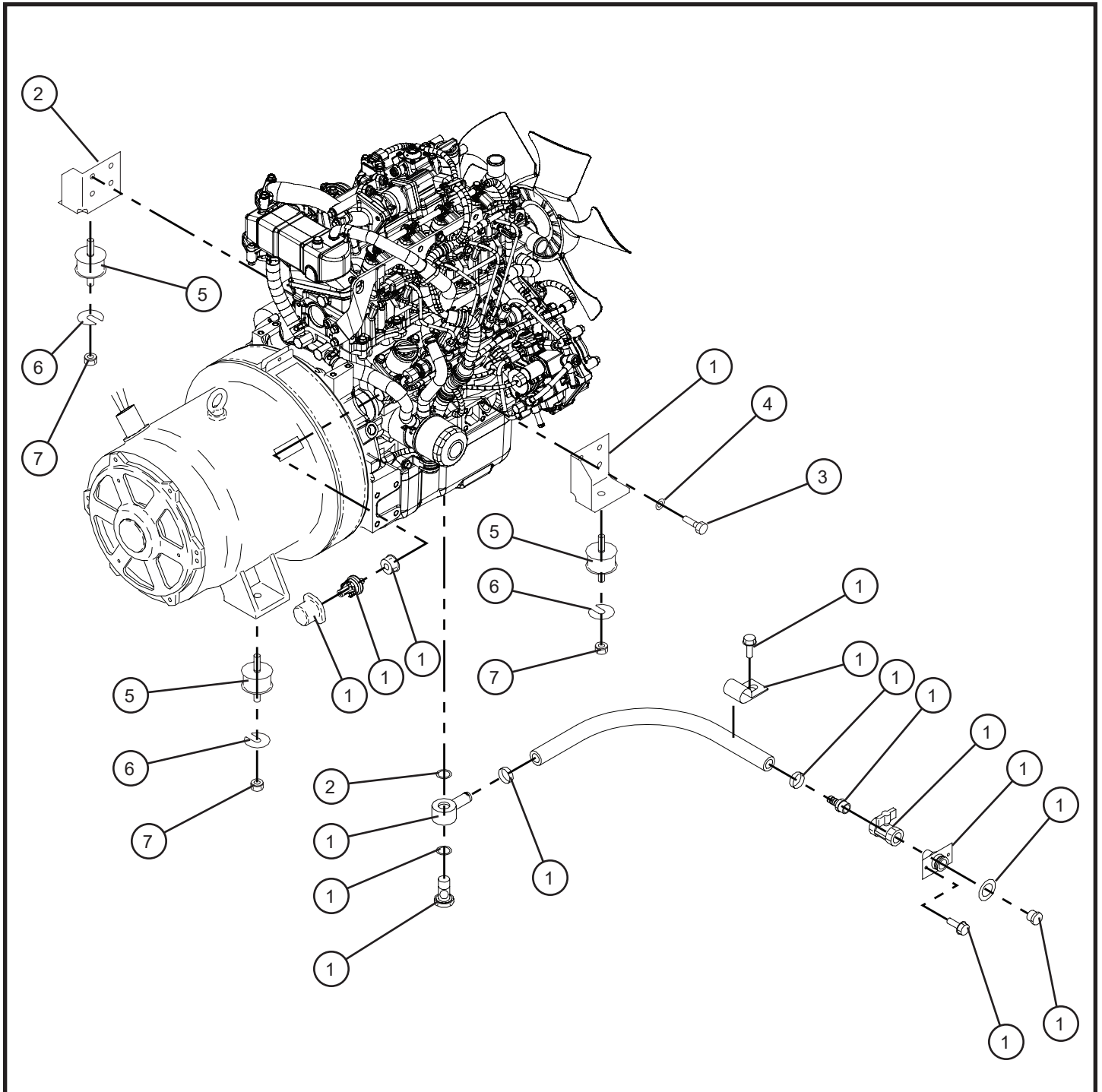
## 1.11 - Rear Enclosure Panels Deep Sea

Item	Allmand No.	Part Description	Qty.
1	***	COVER	1
2	***	SEAL RUBBER	2
3	***	SEAL RUBBER	1
4	110681	COVER	1
5	***	SEAL RUBBER	1
6	***	DOOR	1
7	110693	WINDOW GLASS	1
8	***	SEAL RUBBER	1
9	***	SEAL RUBBER	1
10	***	TOOL BOX	1
11	110499	LATCH ASSEMBLY	3
	***	KEY	1
	***	CUSHION RUBBER	3
12	***	HEXAGON FLANGE NUT	54
13	***	BOLT, W/W	19
14	***	HINGE	8
15	***	COVER	1
16	***	SEAL RUBBER	1
17	***	BOLT, W/W	4
NS	***	URETHANE FOAM KIT	1

NS - Not Shown

\*\*\* - Contact Allmand for more information.

## 2.1 - Isuzu 4LE2T Engine Group



# Maxi-Power™ 25

SN 21-000001 and UP

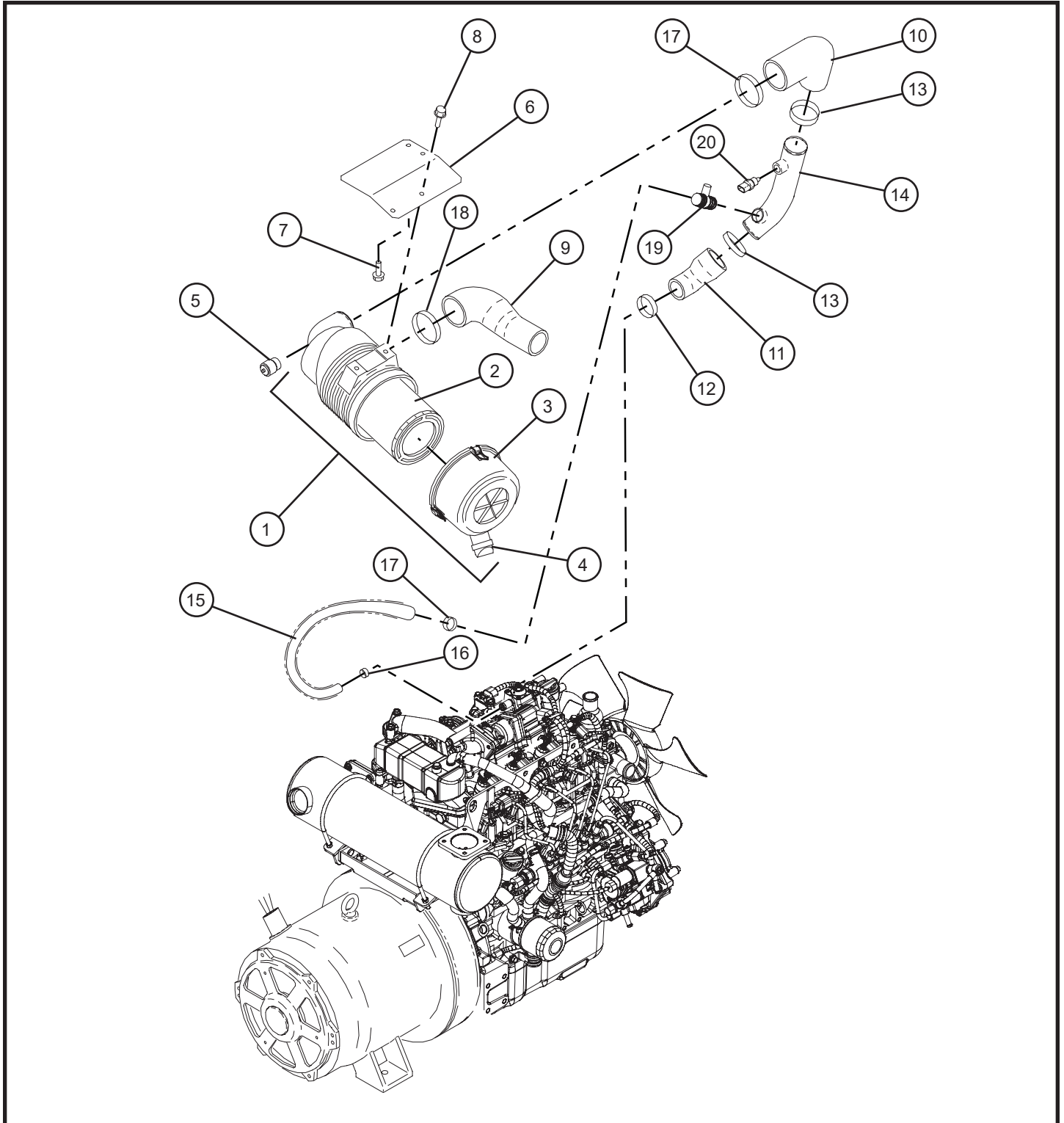
## 2.1 - Isuzu 4LE2T Engine Group

Item	Allmand No.	Part Description	Qty.
1	***	BRACKET	1
	***	BRACKET (DEEP SEA MP25)	1
2	***	BRACKET	1
	***	BRACKET (DEEP SEA MP25)	1
3	***	BOLT	8
4	***	SPRING WASHER	8
5	***	VIBRATION ISOLATOR ASSEMBLY	4
6	***	SHIM	1
7	***	NUT, W/W	8
8	110521	RING CONNECTOR	1
	***	RING CONNECTOR (DEEP SEA MP25)	1
9	110522	GASKET	2
	***	GASKET (DEEP SEA MP25)	2
10	110523	NIPPLE	1
	***	NIPPLE (DEEP SEA MP25)	1
11	***	HOSE	1
	***	HOSE (DEEP SEA MP25)	1
12	***	HOSE CLIP	2
13	***	JOINT	1
14	***	VALVE	1
15	***	JOINT	1
16	110514	FLANGE BOLT	3
17	***	CUSHION RUBBER	1
18	***	PLUG	1
19	***	CAP	1
20	***	CLIP	1
21	***	PRESSURE SWITCH	1
22	***	BUSHING	1
NS	110487	OIL PRESSURE SENDER	1
NS	***	THERMO SWITCH	1
NS	111646	OIL FILTER CARTRIDGE	1
NS	111649	FAN BELT	1
NS	***	WIRING HARNESS	1
NS	***	PLUG	1
NS	***	PLUG	1

NS - Not Shown

\*\*\* - Contact Allmand for more information.

## 2.2 - Engine Intake Group



# Maxi-Power™ 25

SN 21-000001 and UP

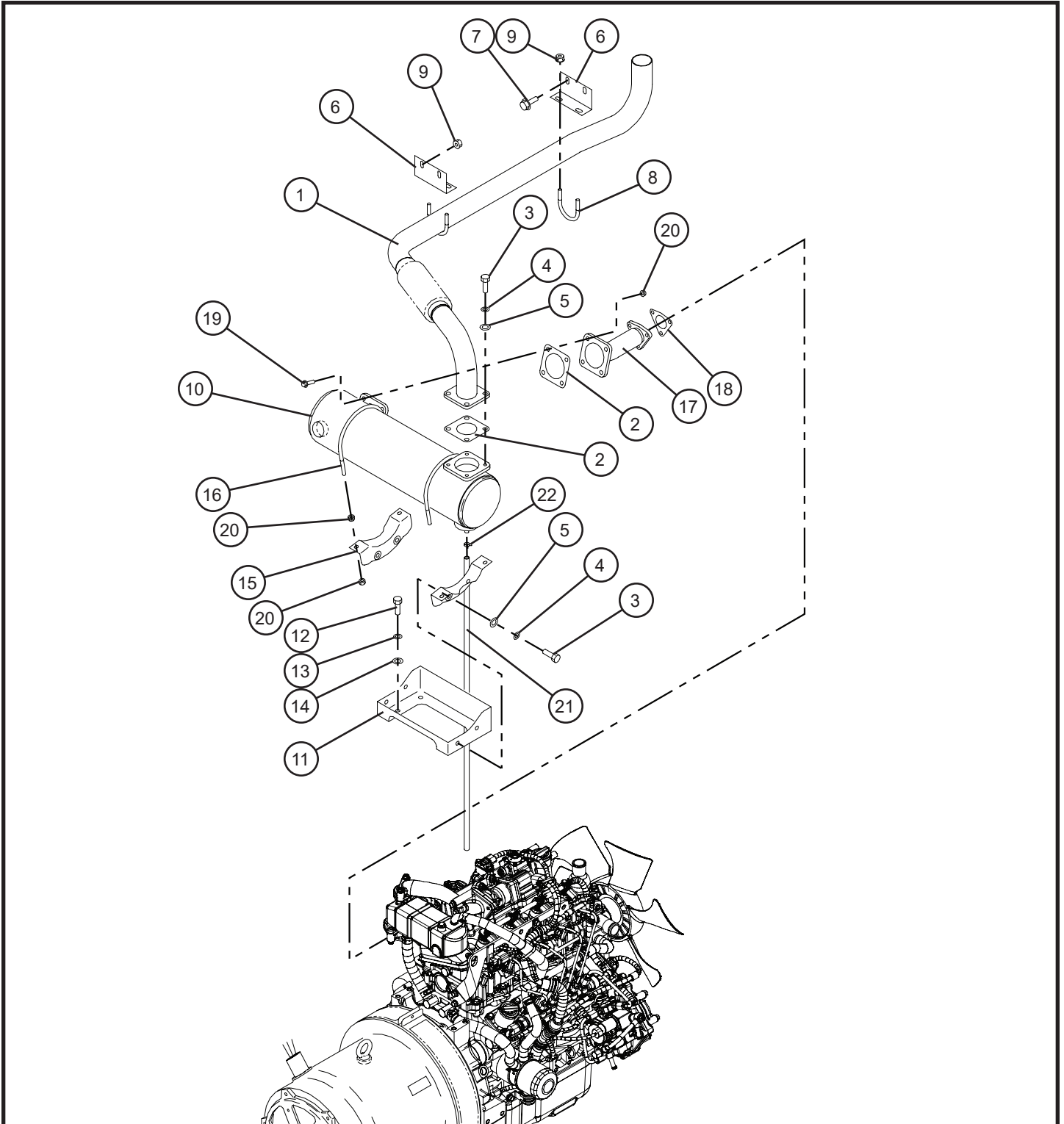
## 2.2 - Engine Intake Group

Item	Allmand No.	Part Description	Qty.
1	***	AIR FILTER ASSEMBLY	1
2	110634	ELEMENT	1
3	***	CUP	1
4	***	VACUATOR VALVE	1
5	110637	FILTER, SERVICE INDICATOR	1
6	***	BRACKET	1
7	110515	FLANGE BOLT	2
8	***	FLANGE BOLT	2
9	***	HOSE	1
10	***	HOSE	1
11	***	HOSE	1
12	***	HOSE CLIP	1
13	***	HOSE CLIP	2
14	***	PIPE	1
	***	PIPE (DEEP SEA MP25)	1
15	***	HOSE	1
	***	HOSE (DEEP SEA MP25)	1
	***	CUSHION RUBBER	1
16	***	HOSE CLIP	1
17	***	HOSE CLIP	1
18	***	HOSE CLIP	1
19	***	HEATER	1
20	110480	THERMO SENSOR	1

NS - Not Shown

\*\*\* - Contact Allmand for more information.

## 2.3 - Engine Exhaust Group



# Maxi-Power™ 25

SN 21-000001 and UP

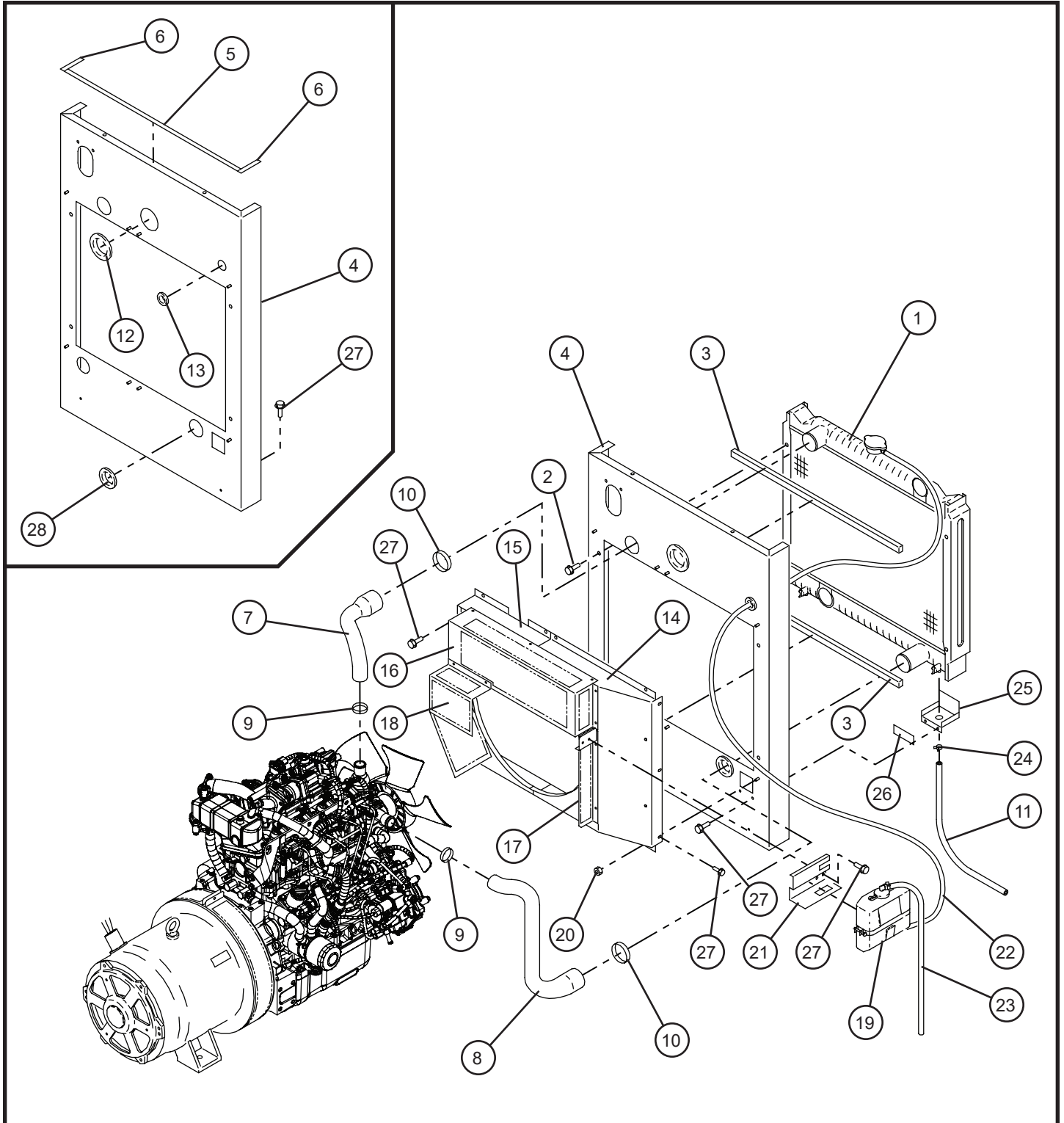
## 2.3 - Engine Exhaust Group

Item	Allmand No.	Part Description	Qty.
1	110511	PIPE, EXHAUST	1
2	***	GASKET	2
3	***	BOLT	8
4	***	SPRING WASHER	8
5	***	PLAIN WASHER	8
6	***	BRACKET	2
	***	BRACKET	2
7	110515	FLANGE BOLT	2
8	***	U-BOLT	2
9	***	HEXAGON FLANGE NUT	6
10	***	EXHAUST FILTER	1
11	***	BRACKET	1
12	***	BOLT	2
13	***	SPRING WASHER	2
14	***	PLAIN WASHER	2
15	***	BRACKET	2
16	***	U-BOLT	2
17	***	PIPE, EXHAUST	1
18	***	GASKET	1
19	***	BOLT	4
20	***	HEXAGON FLANGE NUT	15
21	***	PIPE	1
22	***	HOSE CLIP	1

NS - Not Shown

\*\*\* - Contact Allmand for more information.

## 2.4 - Engine Cooling Group





# Maxi-Power™ 25

SN 21-000001 and UP

## 2.4 - Engine Cooling Group

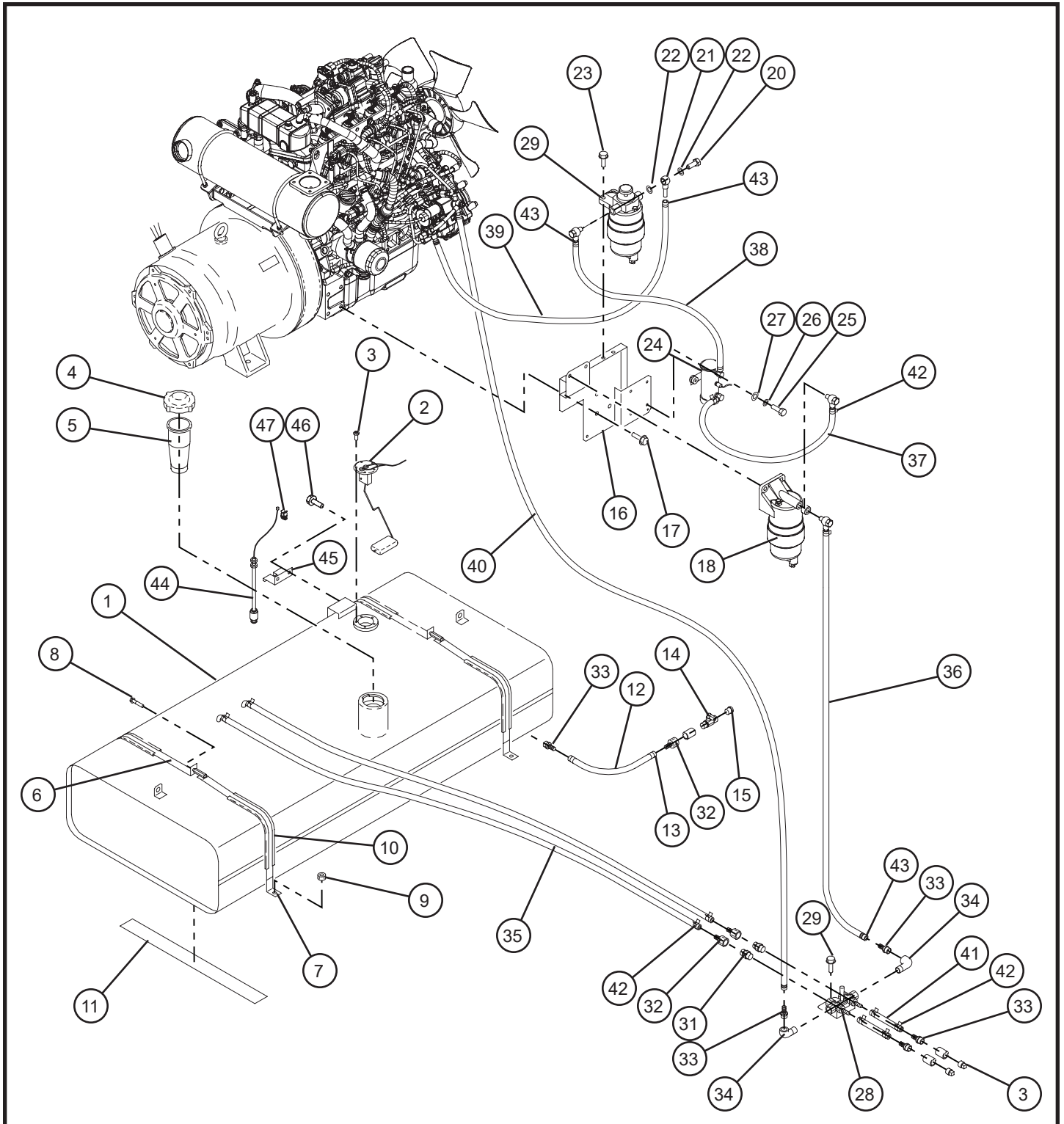
Item	Allmand No.	Part Description	Qty.
1	110506	RADIATOR	1
	110507	CAP	1
	110508	VALVE	2
2	***	FLANGE BOLT	4
3	***	SEAL RUBBER	2
4	***	COVER	1
	***	COVER	1
	***	COVER (DEEP SEA MP25)	1
5	***	SEAL RUBBER	1
6	***	SEAL RUBBER	1
7	***	HOSE	1
8	110510	HOSE	1
9	***	HOSE CLIP	2
10	***	HOSE CLIP	2
11	***	HOSE	1
12	***	GROMMET	1
13	***	GROMMET	1
14	***	SHROUD, FAN	1
	***	SHROUD, FAN (DEEP SEA MP25)	1
15	***	SHROUD, FAN	1
	***	SHROUD, FAN (DEEP SEA MP25)	1
16	***	GUARD, FAN	1
	***	GUARD, FAN (DEEP SEA MP25)	1
17	***	GUARD, FAN	1
	***	GUARD, FAN (DEEP SEA MP25)	1
18	***	GUARD, FAN	1
	***	GUARD, FAN (DEEP SEA MP25)	1
19	110516	RESERVE TANK ASSEMBLY	1
	110517	HOSE CLIP	1
20	***	HEXAGON FLANGE NUT	8
21	110518	BRACKET	1
22	***	HOSE	1
23	110519	HOSE	1
24	110520	HOSE CLIP	4
25	***	BRACKET	1
26	***	SEAL RUBBER	1
27	110514	FLANGE BOLT	31
28	***	GROMMET	1

NS - Not Shown

\*\*\* - Contact Allmand for more information.

©2020 Allmand®

## 2.5 - Fuel Tank and Fuel Lines



# Maxi-Power™ 25

SN 21-000001 and UP

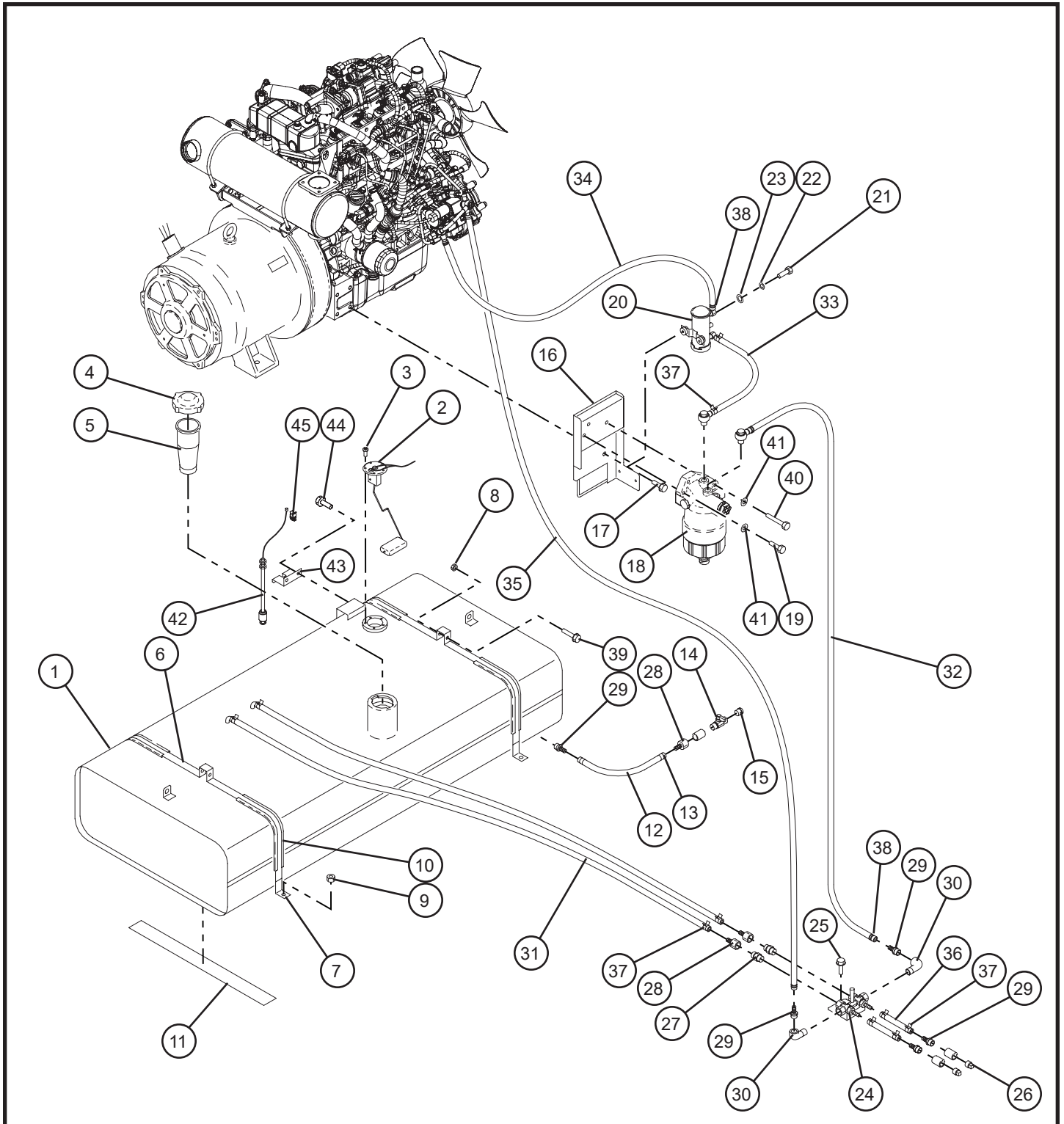
## 2.5 - Fuel Tank and Fuel Lines

Item	Allmand No.	Part Description	Qty.
1	110493	FUEL TANK	1
2	110494	SENDING UNIT	1
3	***	SCREW, W/W	5
4	110495	CAP	1
5	110496	STRAINER	1
6	110497	BELT	2
7	110498	BELT	2
8	***	FLANGE BOLT	2
	***	BOLT, W/W	2
9	***	HEXAGON FLANGE NUT	4
10	***	CUSHION RUBBER	4
11	***	CUSHION RUBBER	2
12	***	HOSE	1
13	***	HOSE CLIP	2
14	***	AIR VALVE	1
15	***	PLUG	1
16	***	BRACKET	1
17	***	FLANGE BOLT	3
18	***	FILTER ASSEMBLY	1
	111647	FUEL FILTER ELEMENT	1
19	***	FILTER ASSEMBLY	1
	111648	PRE-FUEL FILTER ELEMENT	1
20	***	NIPPLE	4
21	***	RING CONNECTOR	4
22	***	GASKET	8
23	***	FLANGE BOLT	4
24	***	FUEL PUMP	1
25	***	BOLT	2
26	***	SPRING WASHER	2
27	***	PLAIN WASHER	2
28	110502	STOP VALVE	1
29	110514	FLANGE BOLT	2
30	***	PLUG	2
31	***	NIPPLE	2
32	***	JOINT	3
33	***	JOINT	5
34	***	ELBOW	2
35	***	HOSE	2
36	***	HOSE	1
37	***	HOSE	1
38	***	HOSE	1
39	***	HOSE	1
40	***	HOSE	1
41	***	HOSE	2
42	***	HOSE CLIP	10
43	***	HOSE CLIP	8
44	110489	LEVEL SWITCH	1
45	***	BRACKET	1
46	110514	FLANGE BOLT	8
47	***	CLIP	1

NS - Not Shown

\*\*\* - Contact Allmand for more information.

## 2.6 - Fuel Tank and Fuel Lines Deep Sea



# Maxi-Power™ 25

SN 21-000001 and UP

## 2.6 - Fuel Tank and Fuel Lines Deep Sea

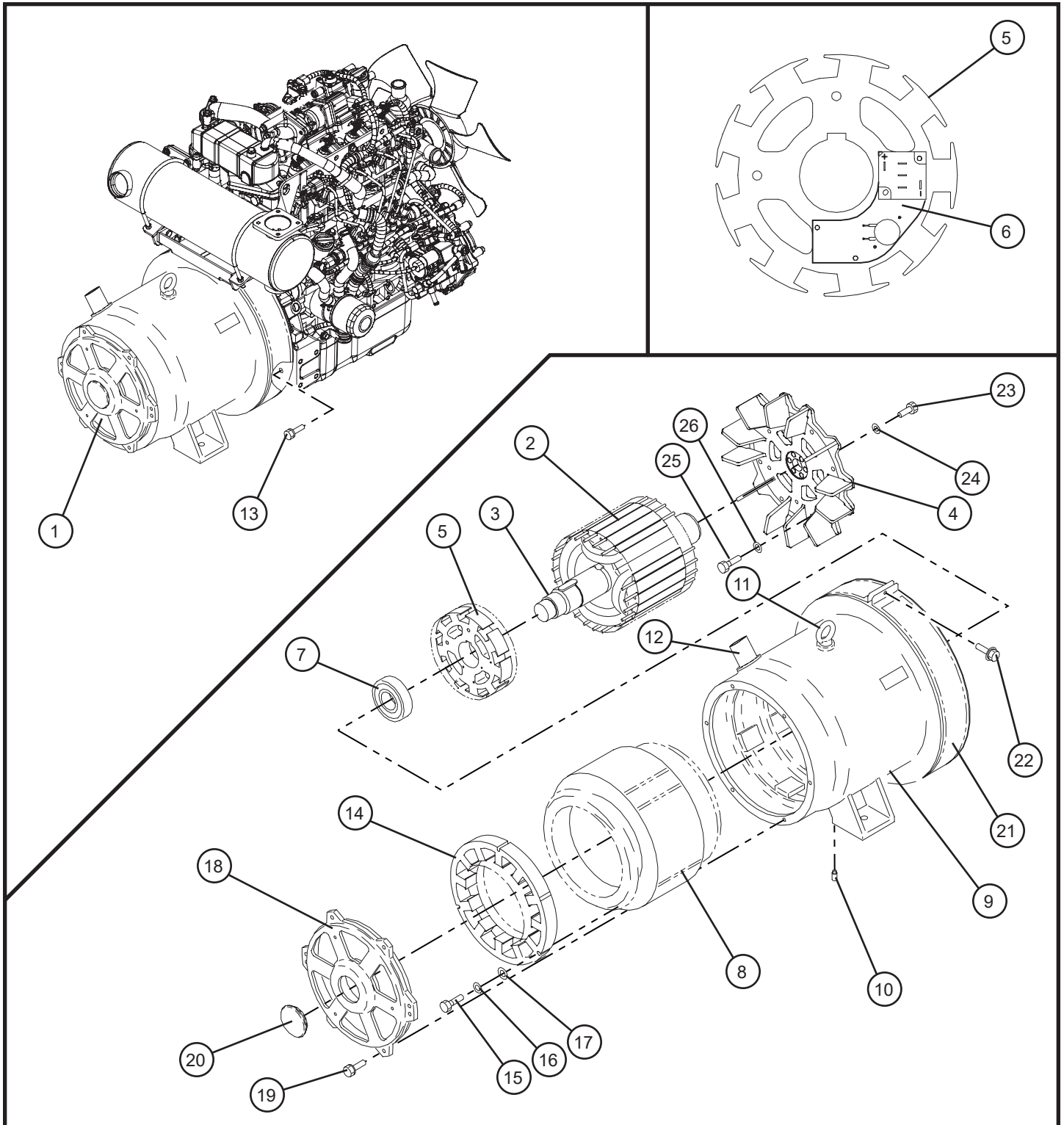
Item	Allmand No.	Part Description	Qty.
1	***	FUEL TANK	1
2	110494	SENDING UNIT	1
3	***	SCREW, W/W	5
4	***	CAP	1
5	110496	STRAINER	1
6	***	BELT	2
7	***	BELT	2
8	***	HEXAGON FLANGE NUT	2
9	***	HEXAGON FLANGE NUT	4
10	***	CUSHION RUBBER	4
11	***	CUSHION RUBBER	2
12	***	HOSE	1
13	***	HOSE CLIP	2
14	***	AIR VALVE	1
15	***	PLUG	1
16	***	BRACKET	1
17	***	FLANGE BOLT	3
18	***	FILTER ASSEMBLY	1
19	***	SOCKET BOLT	2
20	***	FUEL PUMP	1
21	***	BOLT	2
22	***	SPRING WASHER	2
23	***	PLAIN WASHER	2
24	110502	STOP VALVE	1
25	110514	FLANGE BOLT	2
26	***	PLUG	2
27	***	NIPPLE	2
28	***	JOINT	3
29	***	JOINT	5
30	***	ELBOW	2
31	***	HOSE	2
32	***	HOSE	1
33	***	HOSE	1
34	***	HOSE	1
35	***	HOSE	1
36	***	HOSE	2
37	***	HOSE CLIP	10
38	***	HOSE CLIP	8
39	***	BOLT, W/W	2
40	***	SOCKET BOLT	1
41	***	SPRING WASHER	1
42	110489	LEVEL SWITCH	1
43	***	BRACKET	1
44	110514	FLANGE BOLT	8
45	***	CLIP	1
NS	***	NIPPLE	2
NS	***	RING CONNECTOR	2
NS	***	GASKET	4

NS - Not Shown

\*\*\* - Contact Allmand for more information.

©2020 Allmand®

## 2.7 - Generator Assembly Group



# Maxi-Power™ 25

SN 21-000001 and UP

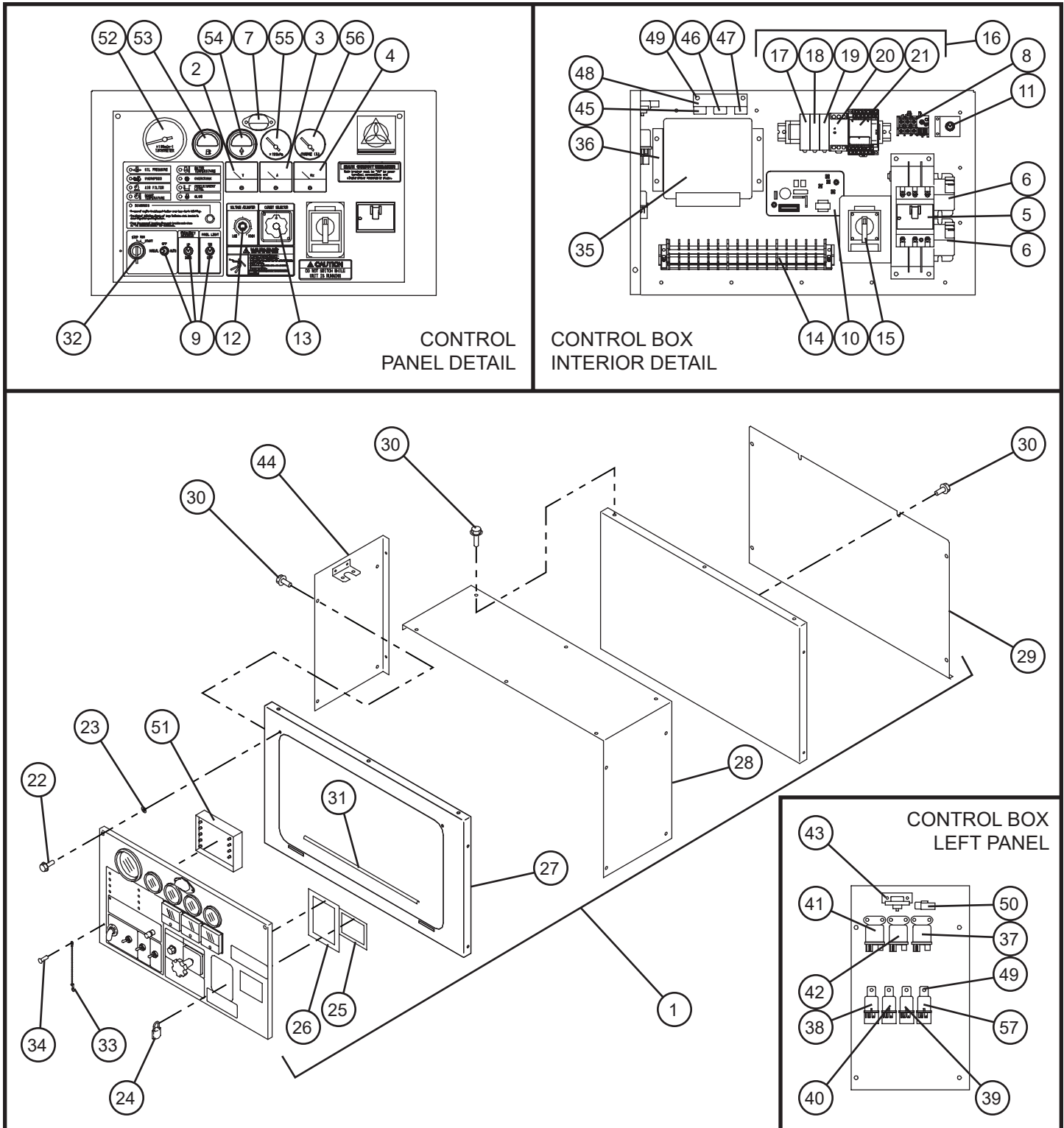
## 2.7 - Generator Assembly Group

Item	Allmand No.	Part Description	Qty.
1	***	GENERATOR	1
2	***	A.C.G. ROTOR ASSEMBLY	1
3	110530	SHAFT	1
	110531	KEY	1
	110532	KEY	1
4	110533	FAN	1
5	***	EX. ROTOR ASSEMBLY	1
6	110526	WIRING BOARD	1
7	110534	BEARING	1
8	***	A.C.G. STATOR ASSEMBLY	1
9	***	CASING	1
10	***	SET SCREW	2
11	***	EYE BOLT	1
12	***	GROMMET	1
13	***	BOLT, W/W	12
14	***	EX. STATOR ASSEMBLY	1
15	***	BOLT	3
16	***	SPRING WASHER	3
17	***	PLAIN WASHER	3
18	***	CASING	1
19	***	BOLT, W/W	6
20	***	GROMMET	1
21	***	COVER	1
22	***	BOLT, W/W	1
23	***	BOLT	6
24	***	SPRING WASHER	6
25	***	BOLT	8
26	***	SPRING WASHER	8

NS - Not Shown

\*\*\* - Contact Allmand for more information.

## 3.1 - Key Start Control Box Group





# Maxi-Power™ 25

SN 21-000001 and UP

## 3.1 - Key Start Control Box Group

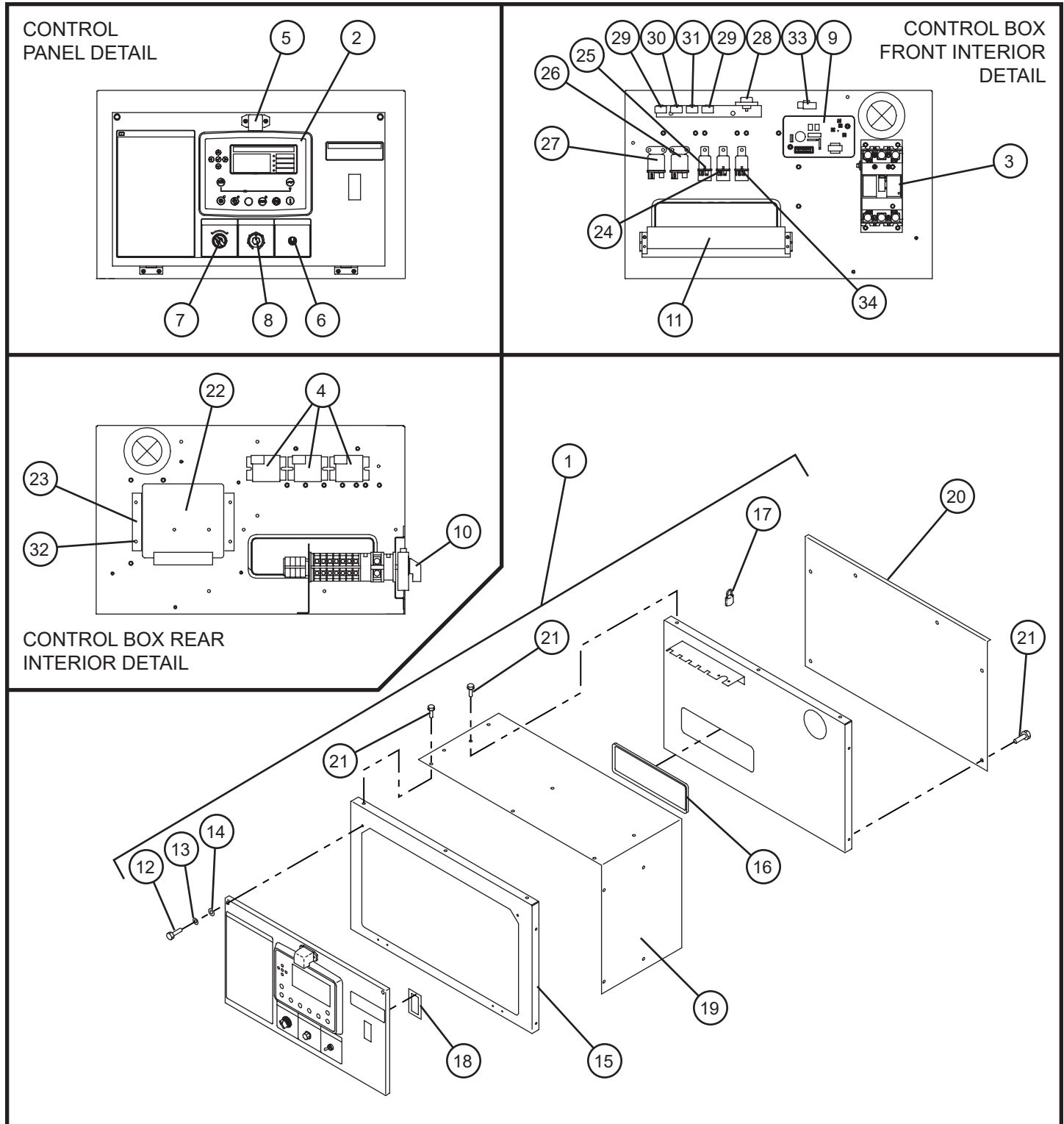
Item	Allmand No.	Part Description	Qty.
1	***	SWITCH BOARD ASSEMBLY	1
2	110443	VOLTMETER (AC)	1
3	110444	AMMETER (AC)	1
4	110445	FREQUENCY METER	1
5	110446	MAIN CIRCUIT BREAKER	1
	110452	CIRCUIT BREAKER (SIDE)	1
6	110447	CURRENT TRANSFORMER	2
	110448	ILLUMINATOR	1
7	***	BULB	1
	110449	THERMAL RELAY	1
8	***	THERMAL RELAY	1
9	110450	SWICH PANEL ASSEMBLY	1
10	***	A.V.R. ASSEMBLY	1
11	110453	SELECT SWITCH	1
	***	CONTROLLER	1
12	***	KNOB	1
13	110455	TRANSFER DEVICE	1
	110456	TERMINAL PLATE	1
	***	PLATE	1
15	110457	CHANGE DEVICE, VOLTAGE	1
16	***	CONTROL PANEL	1
17	110459	RELAY	1
18	110460	RELAY	1
19	110461	RELAY	2
	110492	DC POWER SUPPLY	1
20	***	SURGE ABSORBER	1
	***	CONTROLLER COMPLETE	1
21	***	CONTROLLER COMPLETE	1
	***	SILICON RECTIFIER	2
22	110505	BOLT, W/W	2
23	116411	WASHER	2
24	111708	LOCK ASSEMBLY	1
25	***	LINING	1
26	***	LINING	1
27	***	PLATE	1
28	***	COVER	1
29	***	COVER	1
30	110514	FLANGE BOLT	41
31	***	SEAL RUBBER	1
32	110471	STARTER SWITCH	1
33	***	HOOK	1
34	***	BLIND RIVET	1
35	***	CONTROLLER	1
36	***	BRACKET	2
37	110473	RELAY (CHARGE)	1
	***	RELAY (MAIN)	1
38	***	RELAY (PRESSURE)	1
	***	RELAY (FUEL PUMP)	1
39	***	RELAY (STARTER CUT)	1
	***	RELAY (STARTER CUT)	1
40	***	RELAY (MAIN)	1
41	110477	RELAY (GLOW)	1
42	110478	RELAY (STARTER)	1
	110479	PRESSURE SWITCH	1
43	***	SCREW	2
	***	SPRING WASHER	2
	***	PLAIN WASHER	2
	***	BRACKET	1
44	***	BRACKET	1
	110662	FUSE BOX	2
45	110930	FUSE (10A)	2
	110658	FUSE BOX	1
46	***	FUSE (15A)	1
	110660	FUSE BOX	1
47	***	FUSE (20A)	1
	***	BRACKET	1
48	***	BRACKET	1
49	***	BOLT, W/W	20
50	110714	FUSE BOX (60A)	2
51	110481	CONTROLLER	1
52	110482	TACHOMETER	1
53	110483	GAUGE, FUEL	1
54	110484	TACHOMETER, WATER	1
55	110485	GAUGE, OIL PRESSURE	1
	110486	AMMETER	1
56	***	AMMETER	1
	***	RELAY (FUEL PUMP)	1
NS	***	WIRING HARNESS	1
NS	***	CABLE KIT	1
NS	***	WIRING HARNESS	1
NS	***	PLATE (IN-PANE)	1
NS	***	PLATE (WARNING, LAMP)	1
NS	***	PLATE (CP)	1

NS - Not Shown

\*\*\* - Contact Allmand for more information.

©2020 Allmand®

## 3.2 - Deep Sea Control Box Group



# Maxi-Power™ 25

SN 21-000001 and UP

## 3.2 - Deep Sea Control Box Group

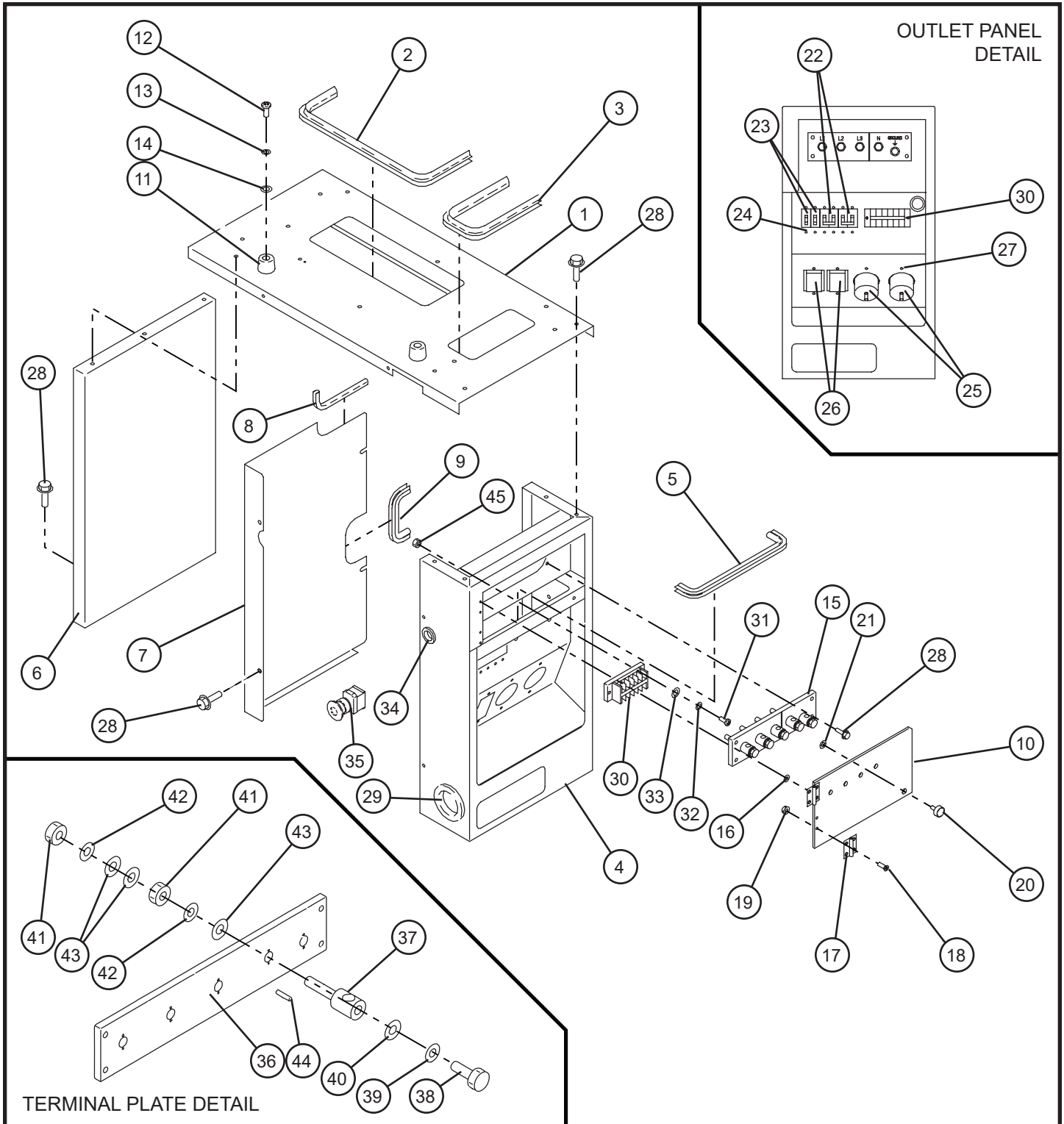
Item	Allmand No.	Part Description	Qty.
1	***	SWITCH BOARD ASSEMBLY	1
2	***	CONTROLLER COMPLETE	1
3	***	MAIN CIRCUIT BREAKER	1
	110452	CIRCUIT BREAKER (SIDE)	1
4	110447	CURRENT TRANSFORMER	3
5	116824	ILLUMINATOR	1
6	116816	SELECT SWITCH	1
7	116815	SELECT SWITCH	1
8	116819	CONTROLLER	1
	***	KNOB	1
9	***	A.V.R. ASSEMBLY	1
10	***	CHANGE DEVICE, VOLTAGE	1
11	***	TERMINAL PLATE	1
	***	PLATE	1
12	***	BOLT	2
13	***	SPRING WASHER	2
14	***	PLAIN WASHER	2
15	***	PLATE	1
16	***	SEAL RUBBER	1
17	111708	LOCK ASSEMBLY	1
18	***	LINING	1
19	***	COVER	1
20	***	COVER	1
21	110514	FLANGE BOLT	39
22	***	CONTROLLER	1
23	***	BRACKET	2
24	***	RELAY (FUEL PUMP)	1
	***	RELAY (STARTER CUT)	1
25	***	RELAY (STARTER CUT)	1
	***	RELAY (MAIN)	1
26	110477	RELAY (GLOW)	1
27	110478	RELAY (STARTER)	1
28	110479	PRESSURE SWITCH	1
	***	SCREW	2
	***	SPRING WASHER	2
29	***	PLAIN WASHER	2
	110662	FUSE BOX	2
30	110930	FUSE (10A)	2
	110658	FUSE BOX	1
31	***	FUSE (15A)	1
	***	FUSE BOX	1
	***	FUSE (30A)	1
32	***	BOLT, W/W	20
33	110714	FUSE BOX (60A)	2
34	***	RELAY (FUEL PUMP)	1
NS	***	RELAY (PRESSURE)	1
NS	***	WIRING HARNESS	1
NS	***	WIRING HARNESS	1
NS	***	PLATE (IN-PANE)	1
NS	116780	PLATE (START-STOP)	1
NS	116797	PLATE (CAUTION)	1
NS	***	PLATE (CP)	1

NS - Not Shown

\*\*\* - Contact Allmand for more information.

©2020 Allmand®

## 3.3 - Key Start Outlet Box Group



# Maxi-Power™ 25

SN 21-000001 and UP

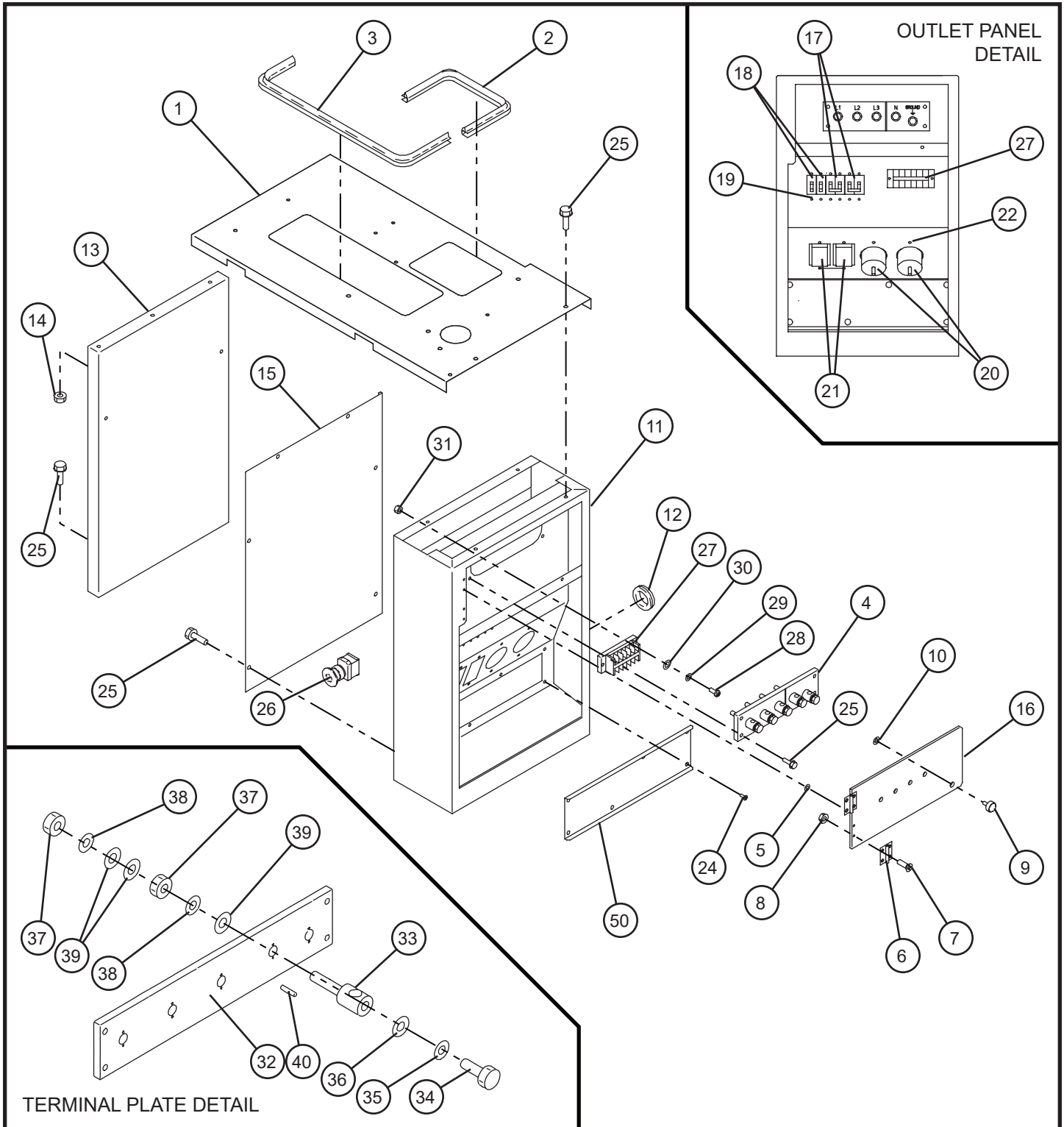
## 3.3 - Key Start Outlet Box Group

Item	Allmand No.	Part Description	Qty.
1	***	COVER	1
2	***	SEAL RUBBER	1
3	***	SEAL RUBBER	1
4	***	BOX	1
	***	BOX	1
5	***	SEAL RUBBER	1
6	***	COVER	1
7	***	COVER	1
8	***	SEAL RUBBER	1
9	***	SEAL RUBBER	2
10	***	WINDOW GLASS	1
11	***	RUBBER	2
12	***	SCREW	2
13	***	SPRING WASHER	2
14	***	PLAIN WASHER	2
15	110470	TERMINAL PLATE	1
16	***	PLAIN WASHER	4
17	***	HINGE	2
18	***	SCREW	8
19	***	HEXAGON FLANGE NUT	4
20	***	BOLT	1
21	116411	WASHER	1
22	110464	CIRCUIT BREAKER	2
	110465	CIRCUIT BREAKER	2
23	110466	CIRCUIT BREAKER	2
	110467	CIRCUIT BREAKER	2
24	***	SCREW	12
	***	SPRING WASHER	12
	***	PLAIN WASHER	12
25	116810	SOCKET	2
26	110469	SOCKET	2
27	***	SCREW	8
	***	NUT	8
	***	SPRING WASHER	8
	***	PLAIN WASHER	16
28	110514	FLANGE BOLT	41
29	***	GROMMET	1
30	110491	TERMINAL PLATE	1
	***	TERMINAL PLATE	1
31	***	SCREW	2
	***	SCREW	2
32	***	SPRING WASHER	2
33	***	PLAIN WASHER	2
	***	PLAIN WASHER	2
34	***	GROMMET	2
35	116812	BUTTON SWITCH	1
36	113036	PLATE	1
37	***	BOLT	5
38	112075	BOLT	5
39	113038	SPRING WASHER	5
40	113039	PLAIN WASHER	5
41	112076	NUT	10
42	113040	SPRING WASHER	10
43	113041	PLAIN WASHER	15
44	113042	PIN	10
45	***	NUT	2
NS	***	CABLE KIT (GENERATOR)	1
NS	***	CABLE KIT (OUTLET BOX)	1

NS - Not Shown      \*\*\* - Contact Allmand for more information.

©2020 Allmand®

## 3.4 - Deep Sea Outlet Box Group



# Maxi-Power™ 25

SN 21-000001 and UP

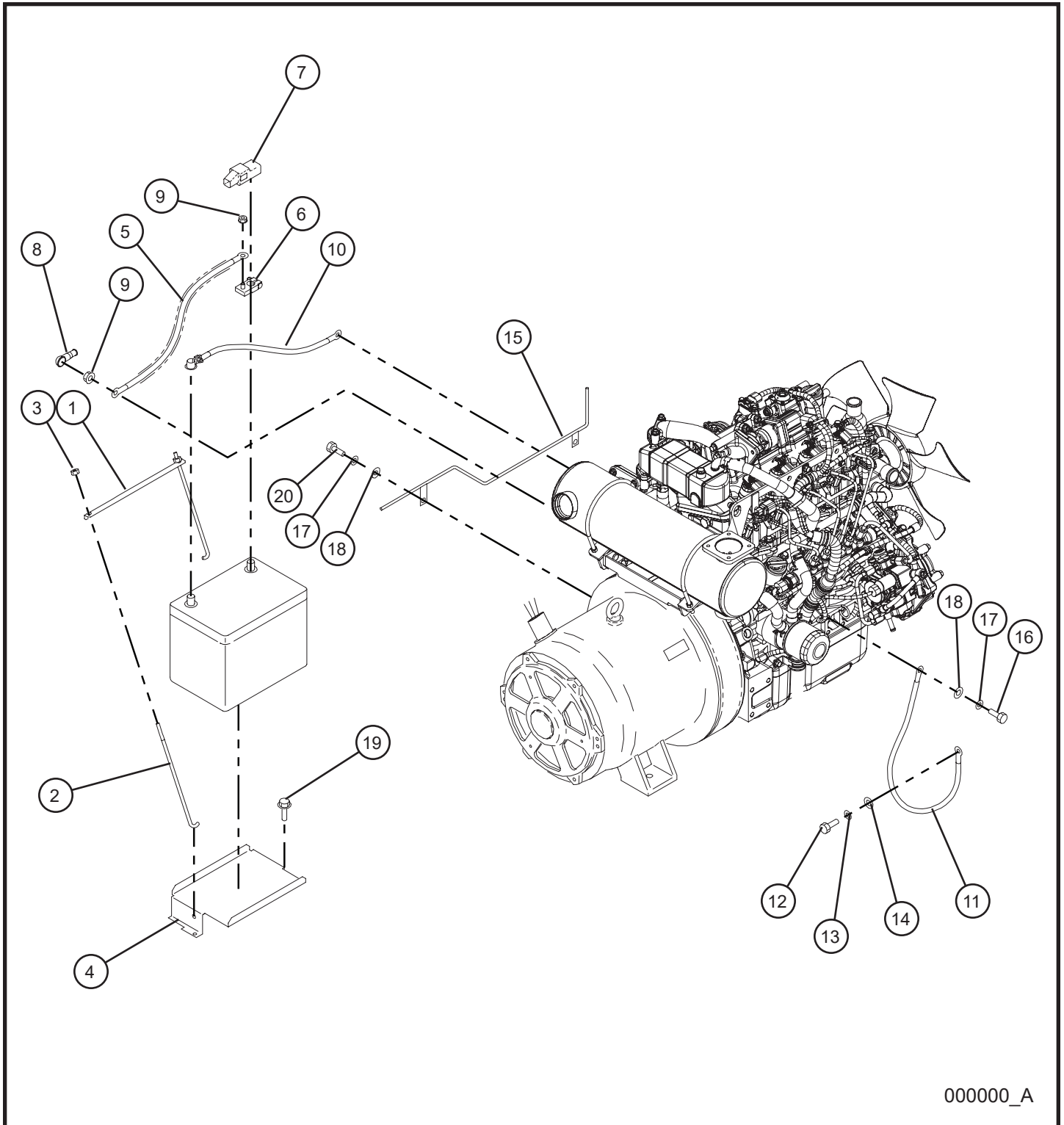
## 3.4 - Deep Sea Outlet Box Group

Item	Allmand No.	Part Description	Qty.
1	***	BRACKET	1
2	***	SEAL RUBBER	1
3	***	SEAL RUBBER	1
4	110470	TERMINAL PLATE	1
5	***	PLAIN WASHER	4
6	***	HINGE	2
7	***	SCREW	8
8	***	HEXAGON FLANGE NUT	4
9	***	BOLT	1
10	116411	WASHER	1
11	***	BOX	1
12	***	GROMMET	1
13	***	COVER	1
14	***	HEXAGON FLANGE NUT	3
15	***	COVER	1
16	***	WINDOW GLASS	1
17	110464	CIRCUIT BREAKER	2
	110465	CIRCUIT BREAKER	2
18	110466	CIRCUIT BREAKER	2
	110467	CIRCUIT BREAKER	2
19	***	SCREW	12
	***	SPRING WASHER	12
	***	PLAIN WASHER	12
20	116810	SOCKET	2
21	110469	SOCKET	2
22	***	SCREW	8
	***	NUT	8
	***	SPRING WASHER	8
	***	PLAIN WASHER	16
23	***	COVER	1
24	***	SCREW	6
25	110514	FLANGE BOLT	39
26	116812	BUTTON SWITCH	1
27	110491	TERMINAL PLATE	1
	***	TERMINAL PLATE	1
28	***	SCREW	2
	***	SCREW	2
29	***	SPRING WASHER	2
30	***	PLAIN WASHER	2
	***	PLAIN WASHER	2
31	***	NUT	2
32	113036	PLATE	1
33	***	BOLT	5
34	112075	BOLT	5
35	113038	SPRING WASHER	5
36	113039	PLAIN WASHER	5
37	112076	NUT	10
38	113040	SPRING WASHER	10
39	113041	PLAIN WASHER	15
40	113042	PIN	10
NS	***	CABLE KIT	1
NS	***	CABLE KIT	1

NS - Not Shown      \*\*\* - Contact Allmand for more information.

©2020 Allmand®

## 3.5 - Battery Cables Group



000000\_A



# Maxi-Power™ 25

SN 21-000001 and UP

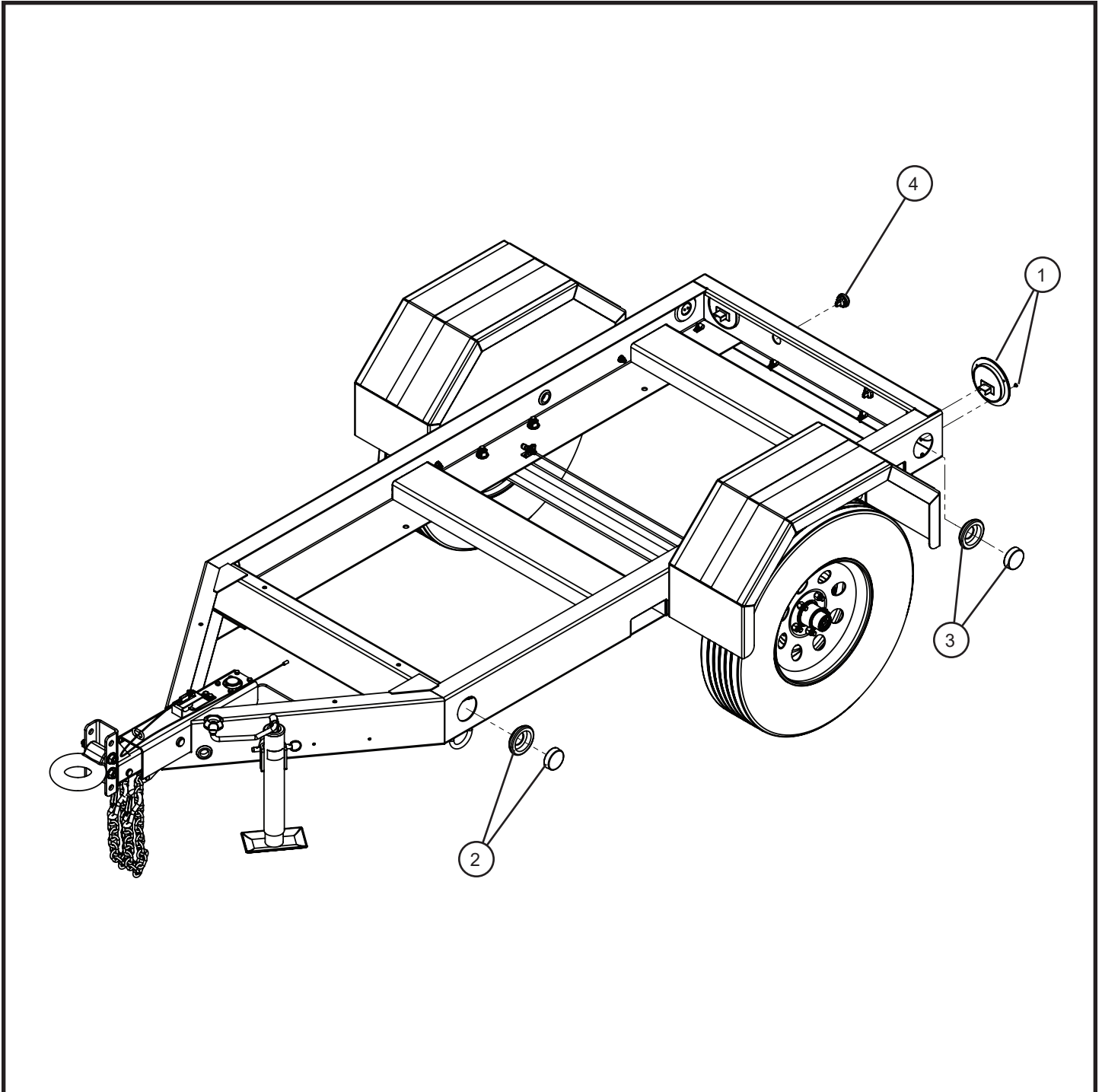
## 3.5 - Battery Cables Group

Item	Allmand No.	Part Description	Qty.
1	***	COVER	1
	***	COVER	1
	***	COVER (DEEP SEA MP 25)	1
2	***	ROD	2
3	***	HEXAGON FLANGE NUT	4
4	***	BATTERY BOX	1
5	***	CABLE	1
	***	CORRUGATED TUBE	1
6	***	TERMINAL	1
7	***	INSULATOR	1
8	***	INSULATOR	1
9	***	HEXAGON FLANGE NUT	2
10	***	CABLE	1
11	***	CABLE	1
12	***	BOLT	1
13	***	SPRING WASHER	1
14	***	PLAIN WASHER	1
15	***	GUIDE	1
	***	GUIDE	1
16	***	BOLT	2
17	***	SPRING WASHER	4
18	***	PLAIN WASHER	4
19	110514	FLANGE BOLT	8
20	***	BOLT	2
	***	BOLT	2

NS - Not Shown

\*\*\* - Contact Allmand for more information.

## 3.6 - United Alloy Trailer Tail Lights and Harness



# Maxi-Power™ 25

SN 21-000001 and UP

## 3.6 - United Alloy Trailer Tail Lights and Harness

Item	Allmand No.	Part Description	Qty.
1	113440	4" FLANGE MOUNT TAIL LIGHT W/ RIVETS	2
2	113441	2.5" AMBER SIDE MARKER/REFLECTOR W/GROMMET	2
3	113442	2.5" RED SIDE MARKER/REFLECTOR W/GROMMET	2
4	113443	1.25" LICENSE PLATE LED LIGHT	2
NS	113452	TAIL LIGHT WIRE HARNESS MP 25	1

NS - Not Shown

\* \* \* - Contact Allmand for more information.

## 3.7 - Triton Trailer Tail Lights and Harness

**To Be Determined**

000000\_A

# Maxi-Power™ 25

SN 21-000001 and UP

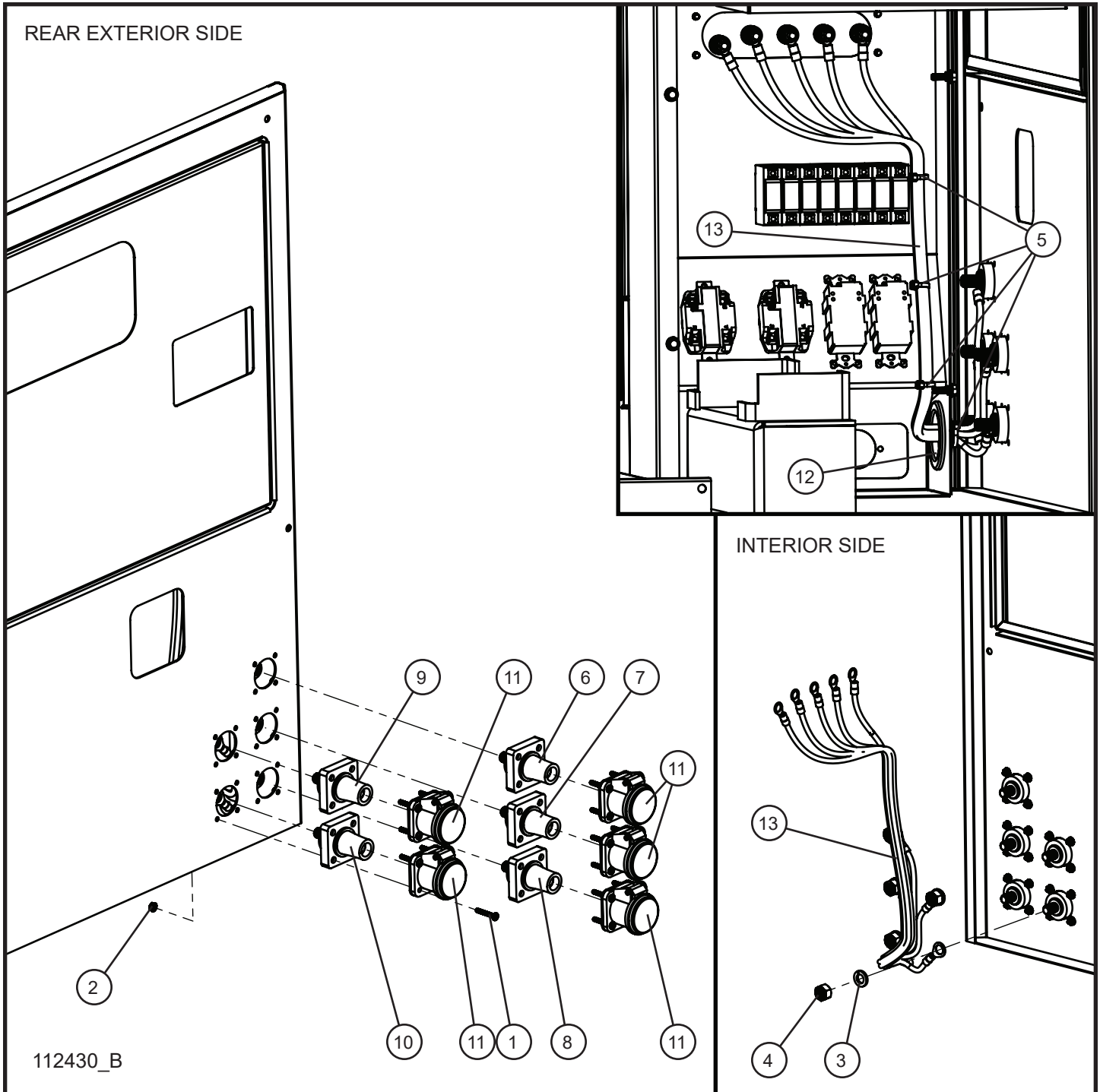
## 3.7 - Triton Trailer Tail Lights and Harness

Item	Allmand No.	Part Description	Qty.
1	***	to be determined	
2	***		
3	***		
4	***		
5	***		
6	***		
7	***		
8	***		
9	***		
10	***		

NS - Not Shown

\*\*\* - Contact Allmand for more information.

## 3.8 - Key Start Cam Lock Door Group



# Maxi-Power™ 25

SN 21-000001 and UP

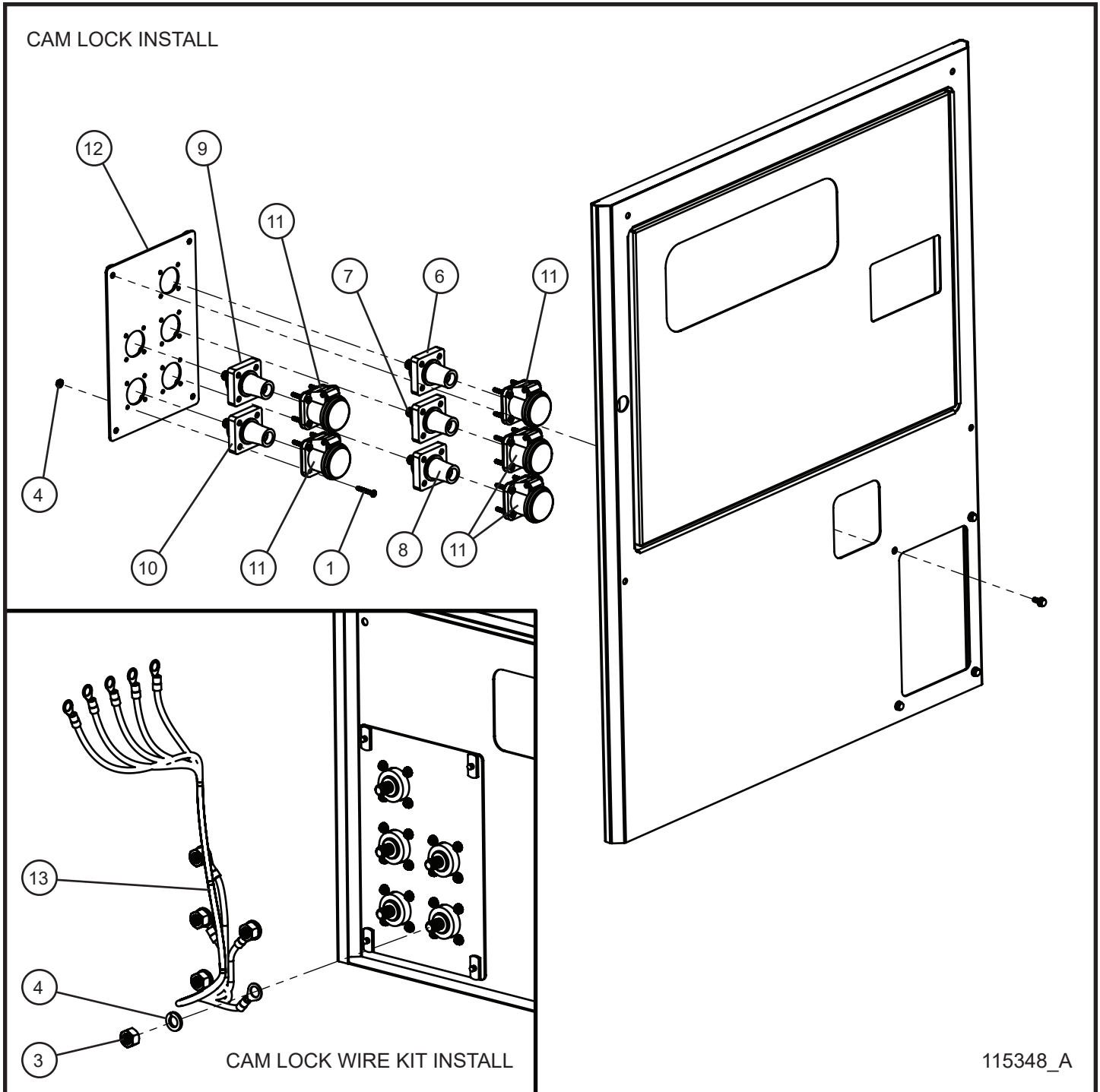
## 3.8 - Key Start Cam Lock Door Group

Item	Allmand No.	Part Description	Qty.
1	041035	#10-24 x 1-1/4 PHILLIPS MACHINE SCREW	20
2	044016	#10-24 KEPS HEX NUT	20
3	043085	1/2 SPLITLOCK WASHER	5
4	044045	1/2-13 HEX NUT	5
5	068090	CABLE TIE 8"	4
6	113242	CAM LOCK BLACK FEMALE 90° 600V 400A	1
7	113243	CAM LOCK RED FEMALE 90° 600V 400A	1
8	113244	CAM LOCK BLUE FEMALE 90° 600V 400A	1
9	113245	CAM LOCK WHITE FEMALE 90° 600V 400A	1
10	113246	CAM LOCK GREEN FEMALE 90° 600V 400A	1
11	112424	CAM LOCK CLEAR COVER 90°	5
12	110370	GROMMET SOLID 2.047 x 2.323 x .512	1
13	112560	8 AWG WIRE KIT CAM LOCK 25 KVA	1
NS	112423	CAM LOCK 8 AWG CABLE SCHEMATIC	1

NS - Not Shown

\*\*\* - Contact Allmand for more information.

## 3.9 - Key Start Cam Lock Plate Weldment Group



115348\_A



# Maxi-Power™ 25

SN 21-000001 and UP

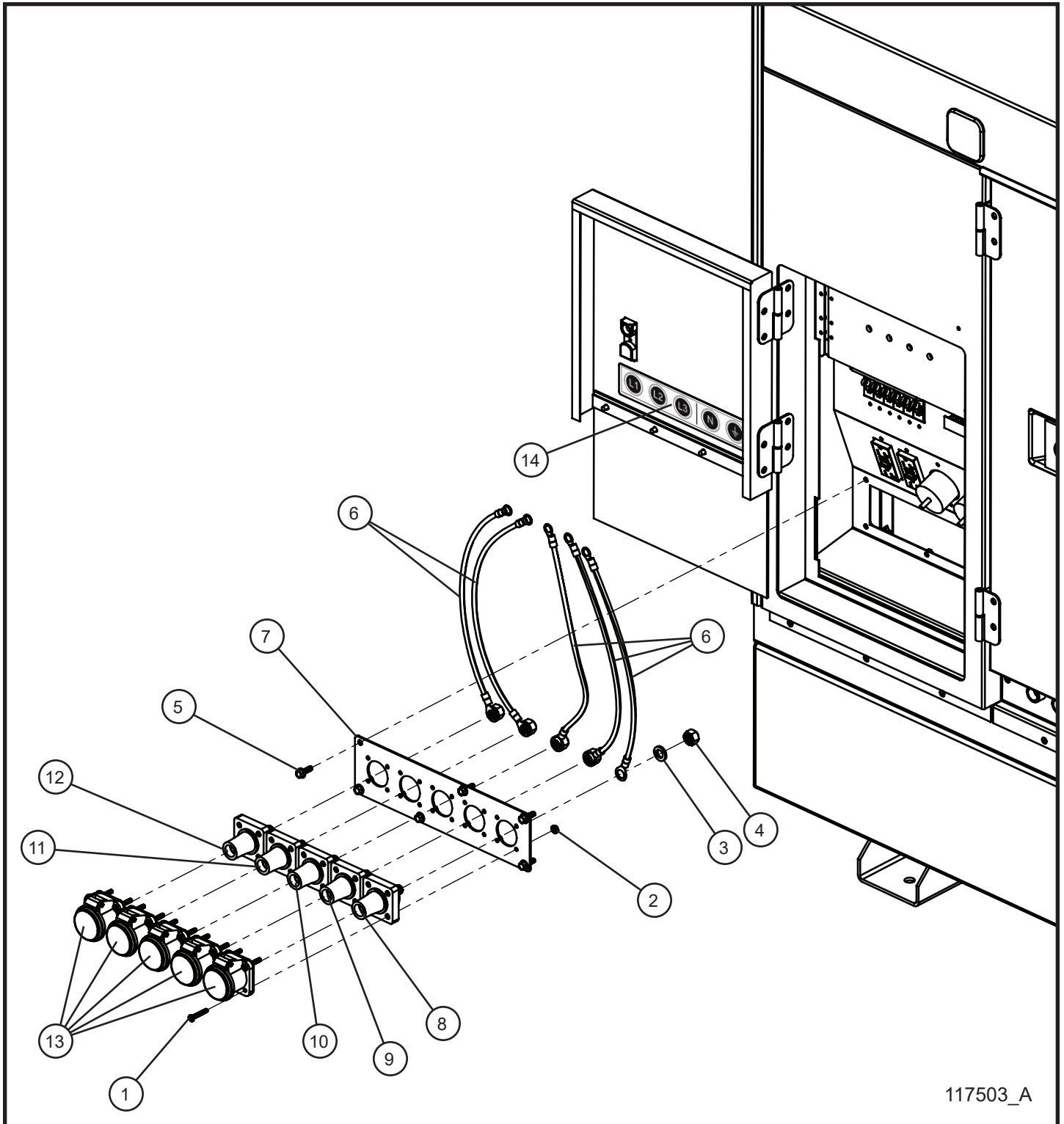
## 3.9 - Key Start Cam Lock Plate Weldment Group

Item	Allmand No.	Part Description	Qty.
1	041035	#10-24 x 1-1/4 PHILLIPS MACHINE SCREW	20
2	043085	1/2 SPLITLOCK WASHER	5
3	044045	1/2-13 HEX NUT	5
4	044016	#10-24 KEPS HEX NUT	20
5	112560	8 AWG WIRE KIT CAM LOCK 25 KVA	1
6	113242	CAM LOCK BLACK FEMALE 90° 600V 400A	1
7	113243	CAM LOCK RED FEMALE 90° 600V 400A	1
8	113244	CAM LOCK BLUE FEMALE 90° 600V 400A	1
9	113245	CAM LOCK WHITE FEMALE 90° 600V 400A	1
10	113246	CAM LOCK GREEN FEMALE 90° 600V 400A	1
11	112424	CAM LOCK CLEAR COVER 90°	5
12	115349P	CAM LOCK MAXI-POWER 25 WELDMENT PANEL	1
NS	112423	CAM LOCK 8 AWG CABLE SCHEMATIC	1

NS - Not Shown

\* \* \* - Contact Allmand for more information.

## 3.10 - Deep Sea Cam Lock Group



117503\_A

# Maxi-Power™ 25

SN 21-000001 and UP

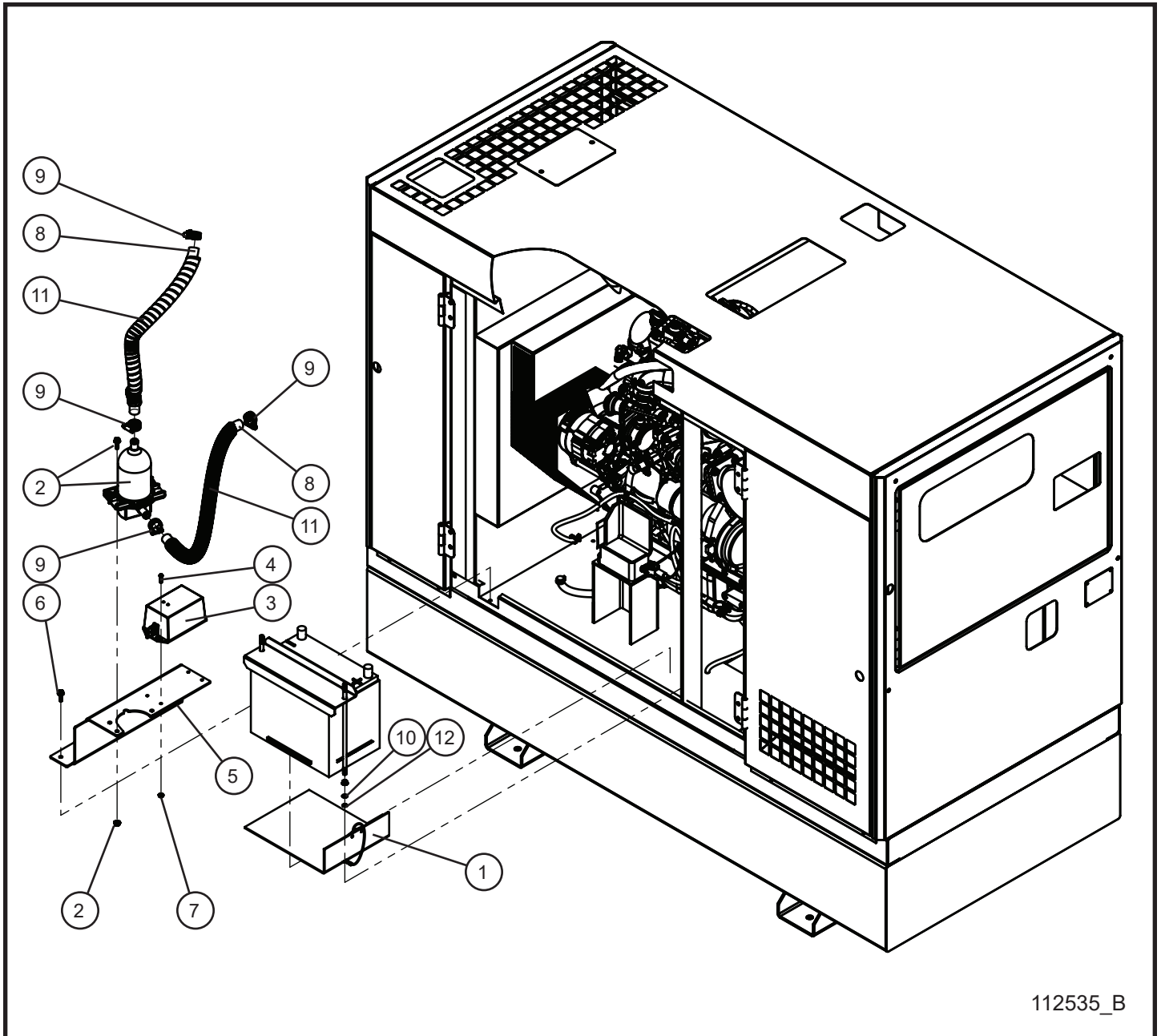
## 3.10 - Deep Sea Cam Lock Group

Item	Allmand No.	Part Description	Qty.
1	041035	#10-24 x 1-1/4 PHILLIPS MACHINE SCREW	20
2	044016	#10-24 KEPS HEX NUT	20
3	043085	1/2 SPLITLOCK WASHER	5
4	044045	1/2-13 HEX NUT	5
5	055001	M6-1.0 x 20 HEX HEAD FLANGE BOLT	6
6	116719	CAM LOCK CABLE KIT MP 25 DEEP SEA	1
7	112509P	CAM LOCK MOUNT PLATE	1
8	113246	CAM LOCK GREEN FEMALE 90° 600V 400A	1
9	113245	CAM LOCK WHITE FEMALE 90° 600V 400A	1
10	113244	CAM LOCK BLUE FEMALE 90° 600V 400A	1
11	113243	CAM LOCK RED FEMALE 90° 600V 400A	1
12	113242	CAM LOCK BLACK FEMALE 90° 600V 400A	1
13	112424	CAM LOCK CLEAR COVER 90°	5
14	112136	DECAL CAM LOCKS	1
NS	112422	CAM LOCK 1/0 CABLE SCHEMATIC	1

NS - Not Shown

\*\*\* - Contact Allmand for more information.

## 3.11 - Key Start Block Heater, Battery Heater and Charger (1 of 2)



112535\_B

# Maxi-Power™ 25

SN 21-000001 and UP

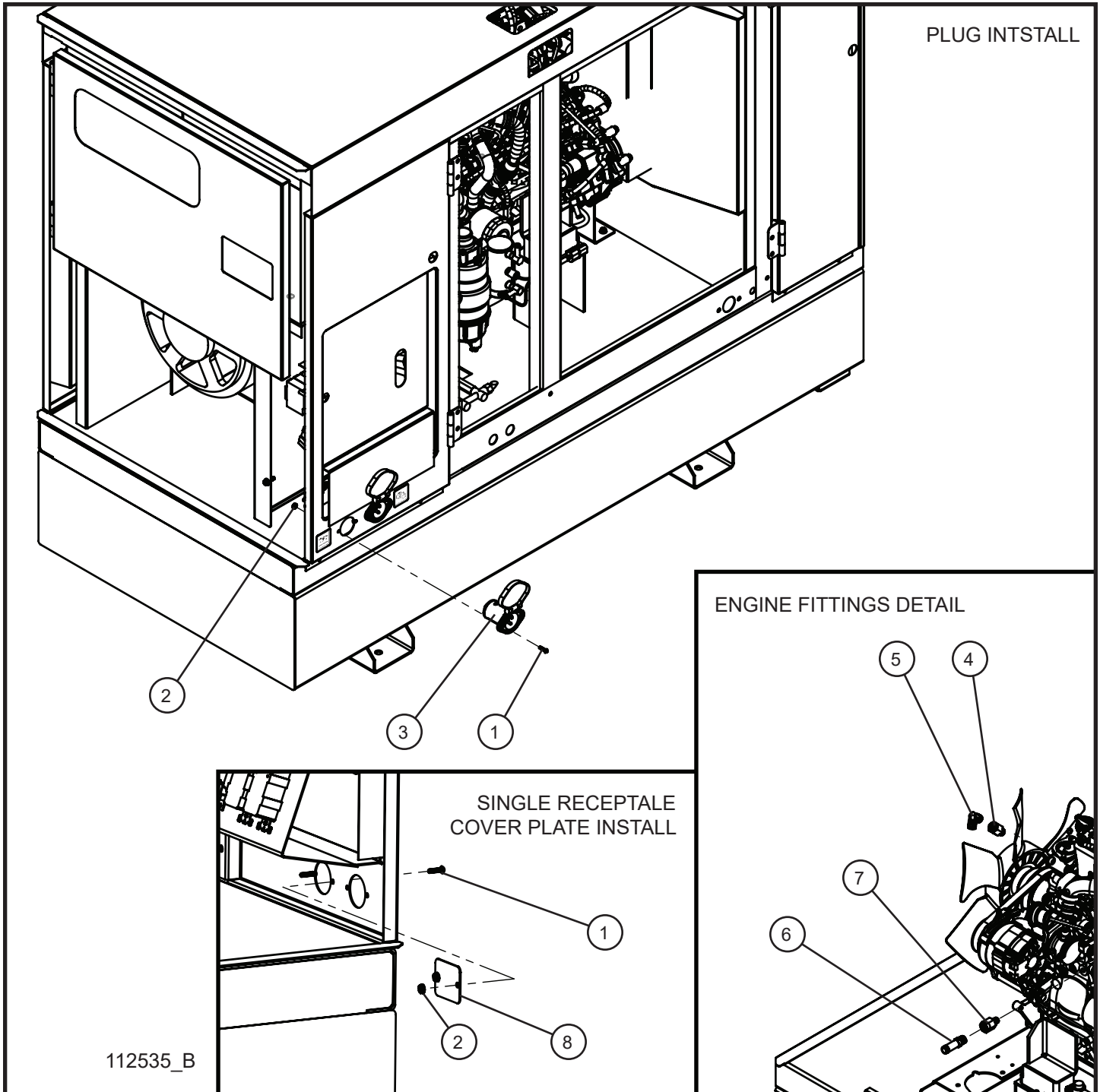
## 3.11 - Key Start Block Heater, Battery Heater and Charger (1 of 2)

Item	Allmand No.	Part Description	Qty.
1	112606	BATTERY HEATER SUB-ASSEMBLY	1
2	112601	BLOCK HEAT MAXI-POWER	1
3	112633	BATTERY CHARGER MAXI-POWER 25	1
4	041027	#10-24 x .750 PHILLIPS ROUND HEAD SCREW	4
5	112605P	ARCTIC PACKAGE MOUNT BRACKET	1
6	055001	M6-1.0 x 20 HEX HEAD FLANGE BOLT	2
7	044016	#10-24 KEPS HEX NUT	4
8	081025	5/8 HEATER HOSE x 22.00	2
9	045033	#10 HOSE CLAMP WORM GEAR	4
10	047070	#10 FLAT WASHER	1
11	022211	1.0 LOOM GUARD x 20.00	2
12	043050	1/4 INTERNAL TOOTH LOCK WASHER	1
NS	112638	MAXI-POWER ARCTIC PACKAGE SCHEMATIC	1

NS - Not Shown

\* \* \* - Contact Allmand for more information.

## 3.11 - Key Start Block Heater, Battery Heater and Charger (2 of 2)



# Maxi-Power™ 25

SN 21-000001 and UP

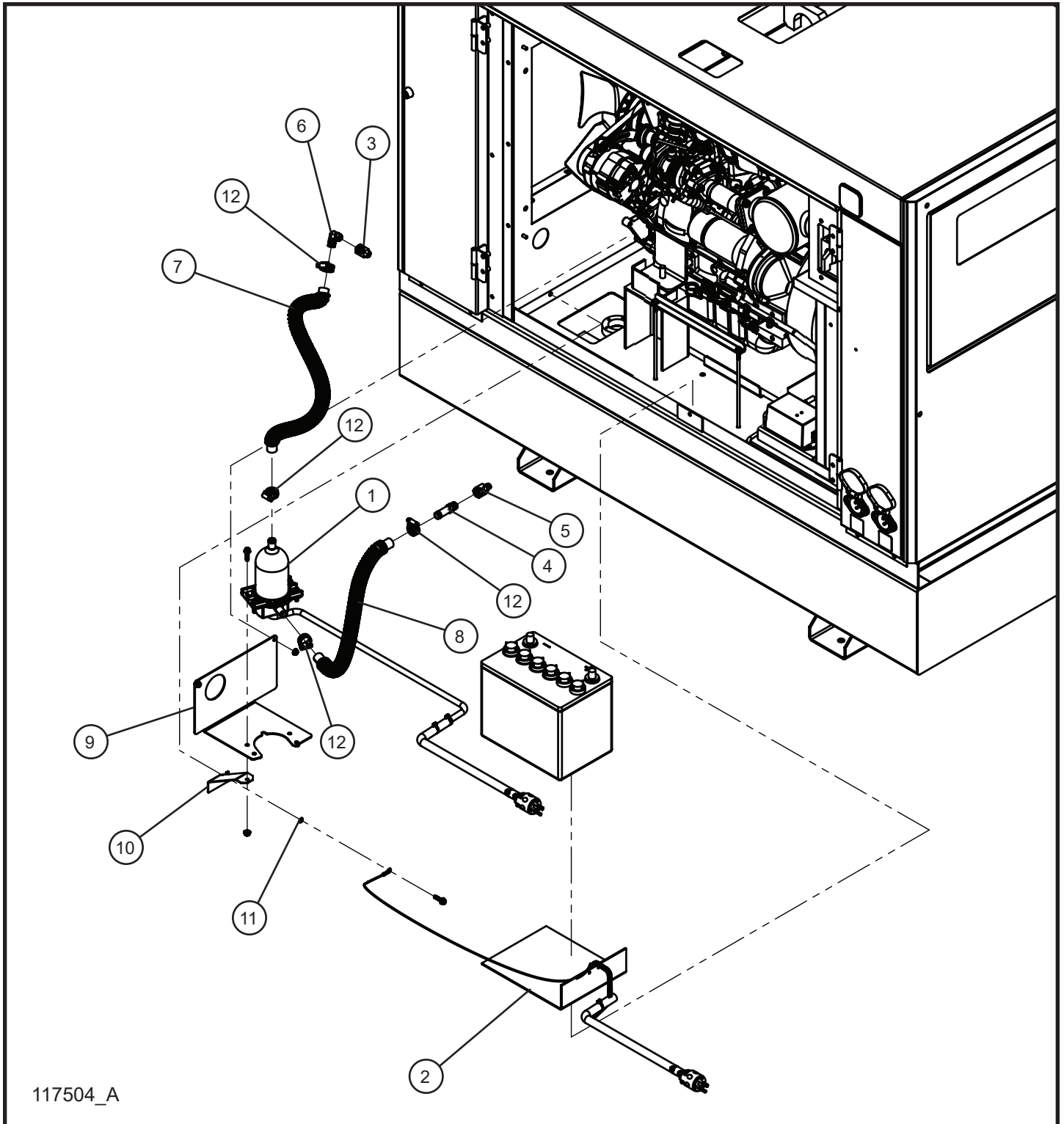
## 3.11 - Key Start Block Heater, Battery Heater and Charger (2 of 2)

Item	Allmand No.	Part Description	Qty.
1	041027	#10-24 x 3/4 PHILLIPS ROUND HEAD SCREW	4
2	044016	#10-24 KEPS HEX NUT	4
3	112619	RECESSED PLUG MAXI-POWER 25 & 150	2
4	104798	FITTING ADAPTOR 3/8" BSPT TO 3/8" NPT	1
5	112592	90° FITTING HOSE BARB	1
6	112562	FITTING HOSE BARB 3/8" NPT - 5/8" BARB	1
7	112581	FITTING ADAPTOR 1/4" BPST TO 3/8" NPT	1
8	113868P	RECEPTACLE PLUG BLOCK OFF PLATE	1
NS	112608	PLUG 3-PRONG MALE	1
NS	022207	5/8 SPLIT LOOM x 55.00	1
NS	022202	3/8 SPLIT LOOM x 12.00	1
NS	022202	3/8 SPLIT LOOM x 24.00	1
NS	068090	CABLE TIE 8"	11

NS - Not Shown

\* \* \* - Contact Allmand for more information.

## 3.12 - Deep Sea Block Heater, Battery Heater and Charger (1 of 2)



117504\_A



# Maxi-Power™ 25

SN 21-000001 and UP

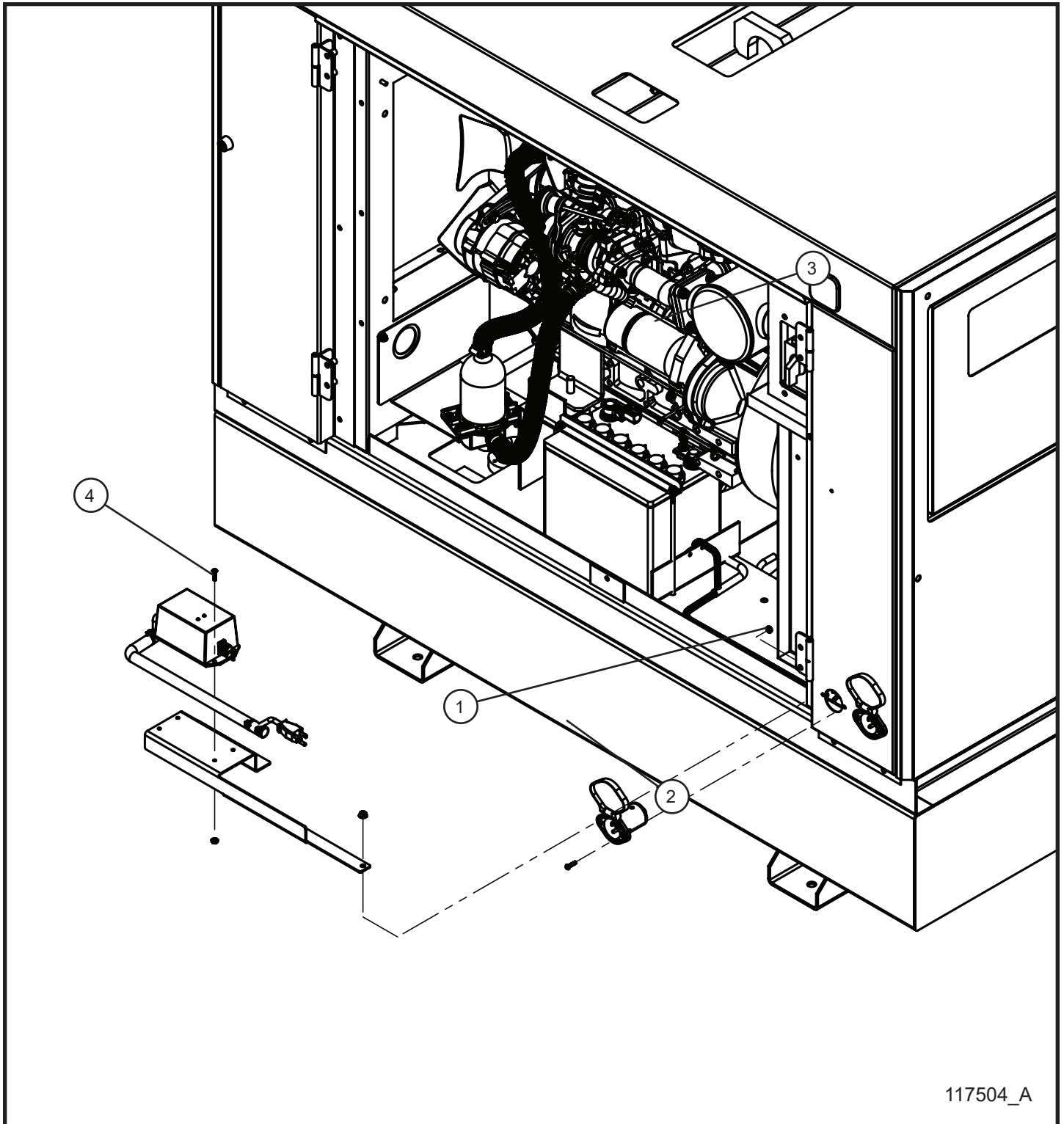
## 3.12 - Deep Sea Block Heater, Battery Heater and Charger (1 of 2)

Item	Part No.	Part Description	Qty.
1	112601	BLOCK HEATER MAXI-POWER 25, 25 DEEP SEA, 45, & 65T4F	1
2	117800	BATTERY HEATER MAXI-POWER 25 DEEP SEA	1
3	104798	FITTING ADAPTOR 3/8" BSPT TO 3/8" NPT	1
4	112562	FITTING HOSE BARB 3/8" NPT - 5/8" BARB	1
5	112581	FITTING ADAPTOR 1/4" BPST TO 3/8" NPT	1
6	112592	90° FITTING HOSE BARB	1
7	022211	1.0 LOOM GUARD x 22.00	1
	081025	5/8 HEATER HOSE x 24.00	1
8	022211	1.0 LOOM GUARD x 20.00	1
	081025	5/8 HEATER HOSE x 22.00	1
9	117802P	MOUNT BLOCK HEATER MAXI-POWER 25 DEEP SEA	1
10	117801P	BRACE COOLANT HEATER	1
11	043050	1/4 INTERNAL TOOTH LOCK WASHER	1
12	045033	#10 HOSE CLAMP WORM GEAR	4
NS	112608	PLUG 3-PRONG MALE	1
NS	022202	3/8 SPLIT LOOM x 28.00	1
NS	022202	3/8 SPLIT LOOM x 36.00	1
NS	022207	5/8 SPLIT LOOM x 24.00	1
NS	112638	MAXI-POWER ARCTIC PACKAGE SCHEMATIC	1
NS	068090	CABLE TIE 8"	10

NS - Not Shown

\*\*\* - Contact Allmand for more information.

## 3.12 - Deep Sea Block Heater, Battery Heater and Charger (2 of 2)



117504\_A

# Maxi-Power™ 25

SN 21-000001 and UP

## 3.12 - Deep Sea Block Heater, Battery Heater and Charger (2 of 2)

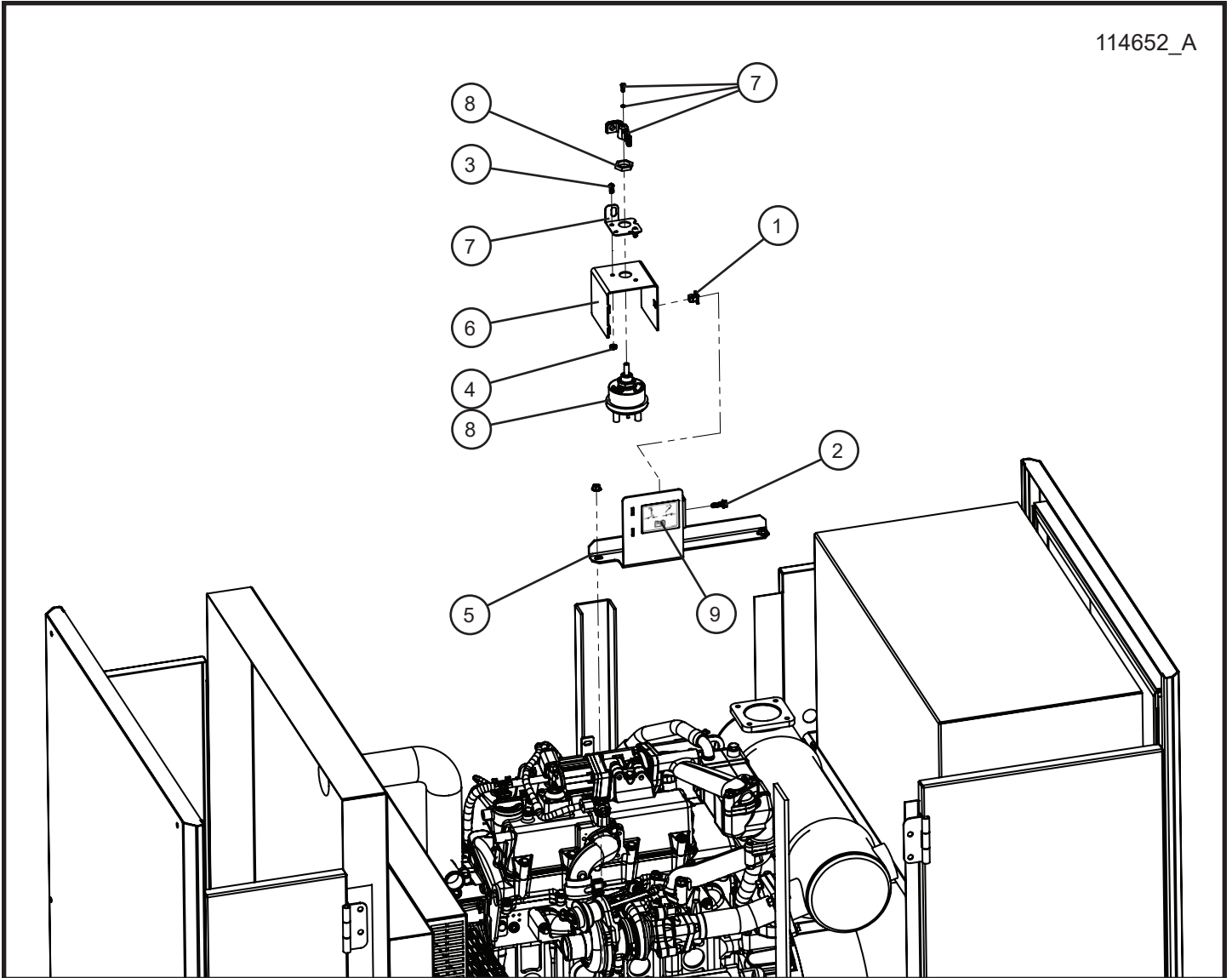
Item	Part No.	Part Description	Qty.
1	112633	BATTERY CHARGER MAXI-POWER 25 AND 25 DEEP SEA	1
2	117803P	MOUNT BATTERY CHARGER MAXI-POWER 25 DEEP SEA	1
3	112619	RECESSED PLUG MAXI-POWER 25 & 150	2
20	041027	#10-24 x 3/4 PHILLIPS ROUND HEAD SCREW	8
21	044016	#10-24 KEPS HEX NUT	8
NS	112608	PLUG 3-PRONG MALE	1
NS	022202	3/8 SPLIT LOOM x 28.00	1
NS	022202	3/8 SPLIT LOOM x 36.00	1
NS	022207	5/8 SPLIT LOOM x 24.00	1
NS	112638	MAXI-POWER ARCTIC PACKAGE SCHEMATIC	1
NS	068090	CABLE TIE 8"	10

NS - Not Shown

\* \* \* - Contact Allmand for more information.

## 3.13 - Battery Disconnect

114652\_A



# Maxi-Power™ 25

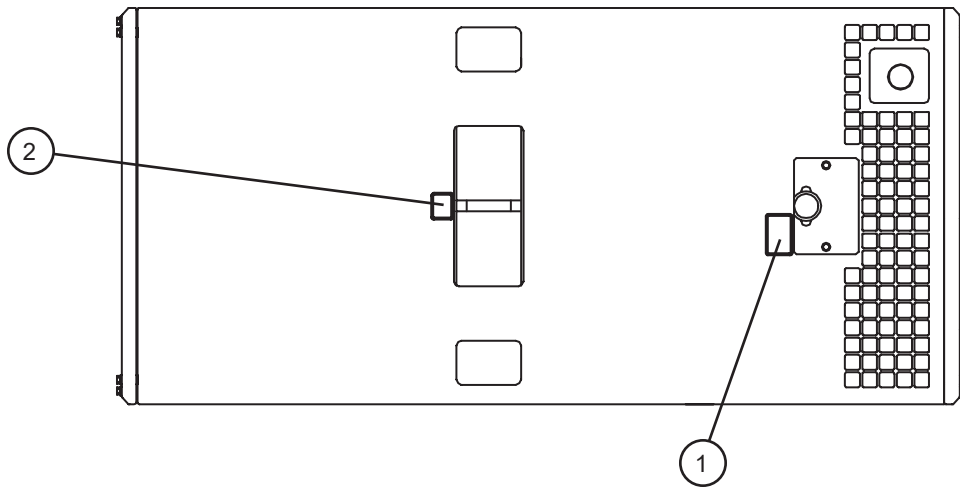
SN 21-000001 and UP

## 3.13 - Battery Disconnect

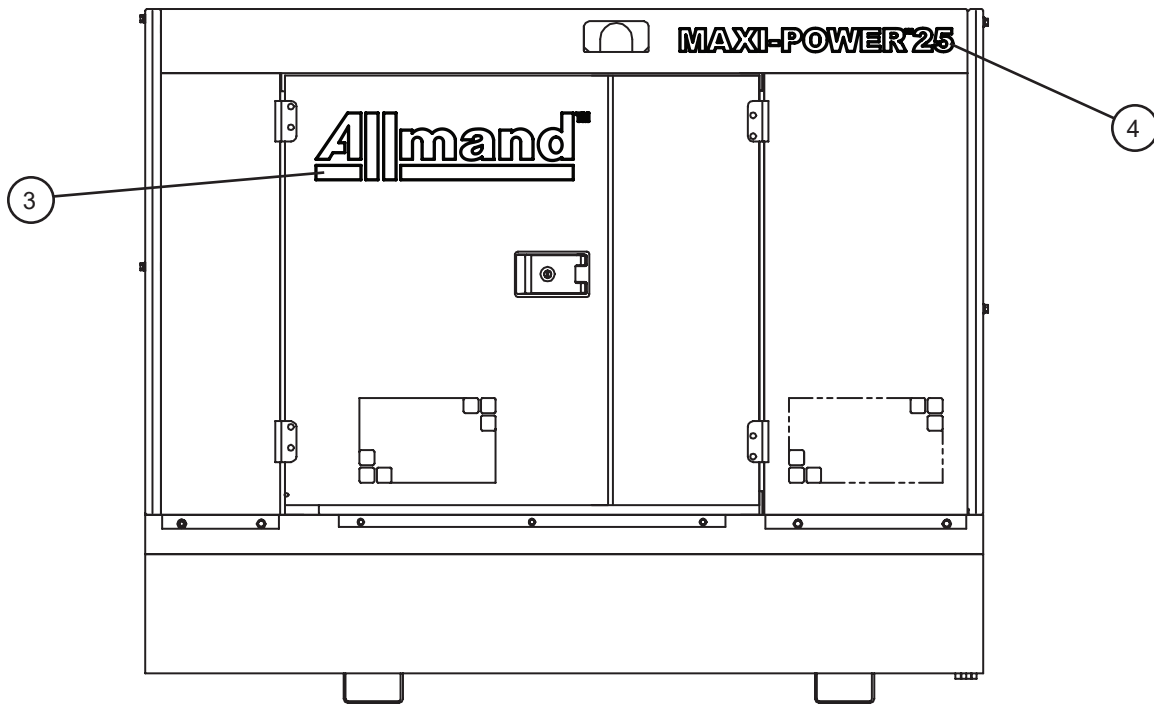
Item	Part No.	Part Description	Qty.
1	105408	GROMMET NUT DOUBLE SPLIT SQUARE HEAD	1
2	041070	1/4-20 x 3/4 SLOTTED HEX WASHER HEAD	1
3	041024	#10-24 x 1/2 PHILLIPS ROUND HEAD	2
4	044016	#10-24 KEPS HEX NUT	2
5	114662P	BOX MOUNT BATTERY DISCONNECT	1
6	114664P	BOX BATTERY DISCONNECT	1
7	103483	LOCK OUT BATTERY DISCONNECT	1
8	102534	4 TERMINAL SWITCH BATTERY DISCONNECT	1
9	104777	DECAL BATTERY DISCONNECT	1
NS	106466	CABLE BATTERY NEGATIVE 13" DUAL EYELET	1
NS	022205	1/2" LOOM GUARD FLEX x 11.00	1
NS	022205	1/2" LOOM GUARD FLEX x 9.00	1

## 4.1 - Left and Top Side Enclosure Decals

TOP SIDE



LEFT SIDE



110025\_C

# Maxi-Power™ 25

SN 21-000001 and UP

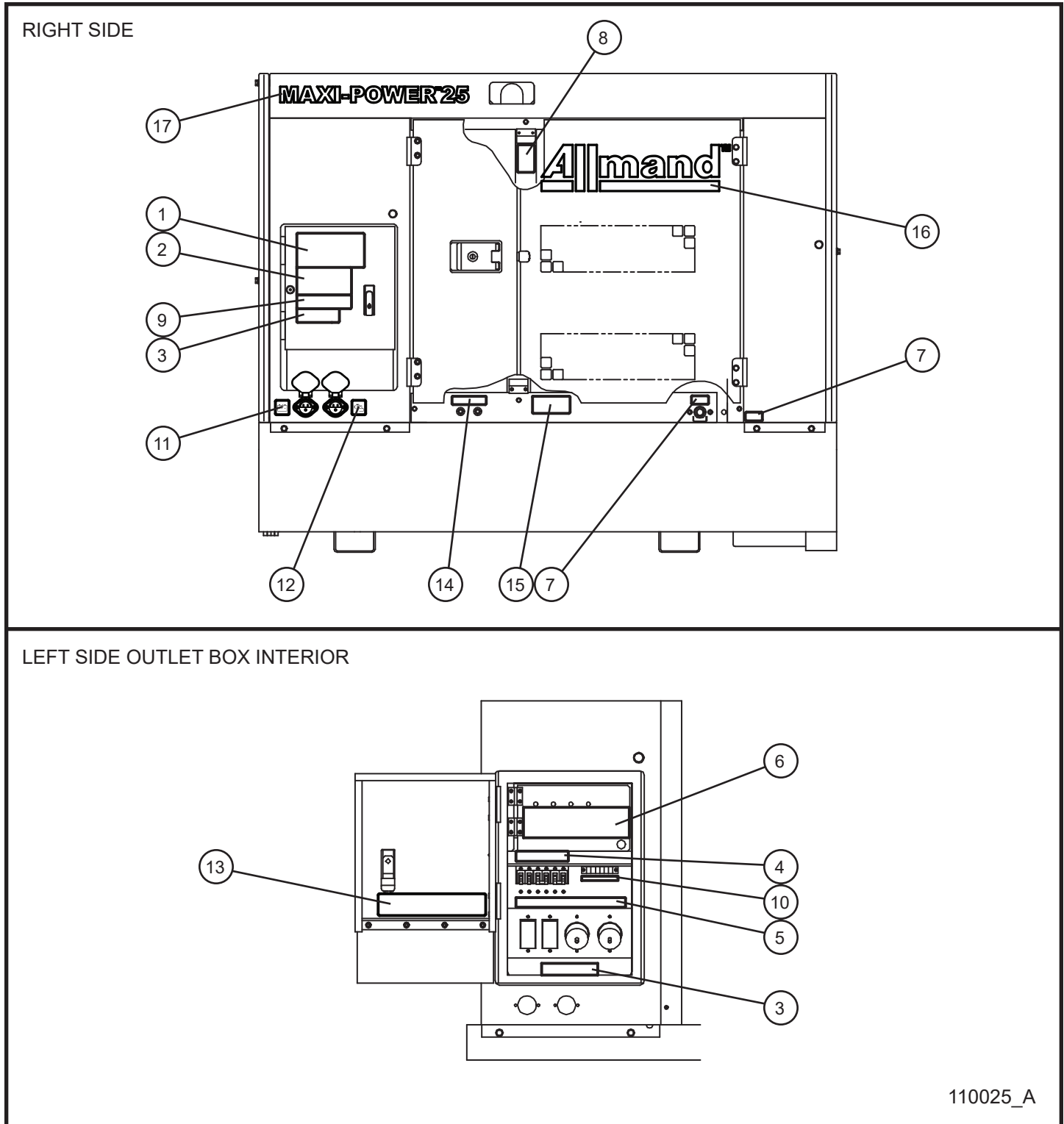
## 4.1 - Left and Top Side Enclosure Decals

Item	Allmand No.	Part Description	Qty.
1	116786	PLATE (CAUTION, RADIATOR CAP)	1
2	116801	PLATE (LIFT POSITION)	1
3	100286	DECAL BRAND SMALL BLACK ALLMAND	1
4	109013	DECAL MAXI-POWER 25	1

NS - Not Shown

\* \* \* - Contact Allmand for more information.

## 4.2 - Right Side Enclosure Decals





# Maxi-Power™ 25

SN 21-000001 and UP

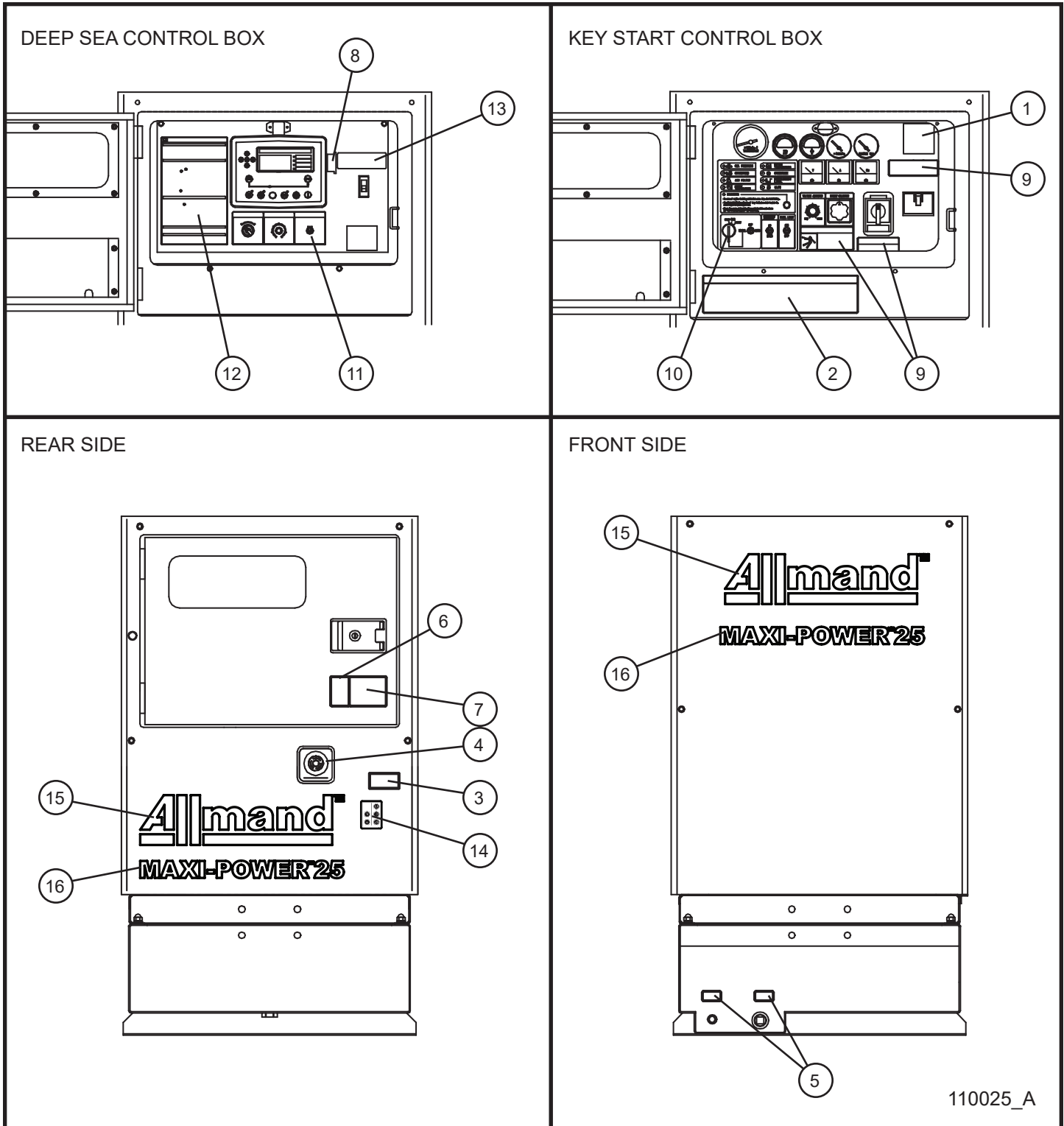
## 4.2 - Right Side Enclosure Decals

Item	Allmand No.	Part Description	Qty.
1	***	PLATE (OUTPUT)	1
	***	PLATE (OUTPUT)	1
2	112987	PLATE (HIGH VOLTAGE)	1
3	112804	PLATE COMPLETE SET (TERMINAL IN)	1
4	***	PLATE (BREAKER)	1
5	***	PLATE (SOCKET)	1
6	116779	PLATE (WIRING CHART)	1
7	116784	PLATE COMPLETE SET (DRAIN)	1
8	114416	PLATE (CAUTION, HIGH TEMPERATURE)	2
9	112989	PLATE (WARNING, ELECTRIC SHOCK)	1
10	116792	PLATE (2 WIRE TERMINAL PLATE)	1
11	112138	BATTERY CHARGER DECAL	1
12	112139	ENGINE AND BATTERY HEATER DECAL	1
13	112136	DECAL CAM LOCKS (MP25 DEEP SEA)	1
14	116791	PLATE (FUEL PORT)	1
15	116793	PLATE (FLAMMABLES)	1
16	110286	DECAL BRAND SMALL BLACK ALLMAND	1
17	109013	DECAL MAXI-POWER 25	1

NS - Not Shown

\*\*\* - Contact Allmand for more information.

## 4.3 - Front and Rear Side Enclosure Decals



110025\_A

# Maxi-Power™ 25

SN 21-000001 and UP

## 4.3 - Front and Rear Side Enclosure Decals

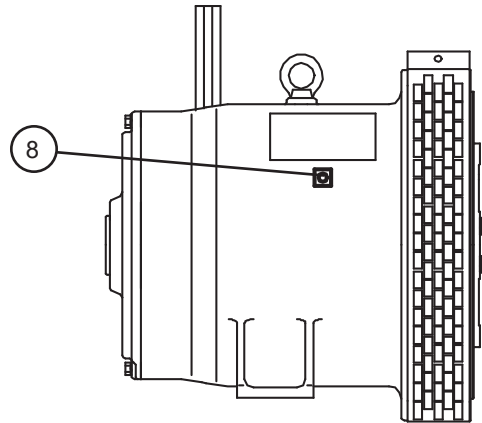
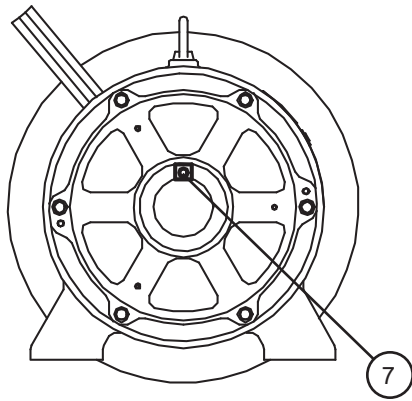
Item	Allmand No.	Part Description	Qty.
1	***	PLATE (DELTA DEMAND)	2
2	***	PLATE (OPERATION)	1
3	***	PLATE (CALIFORNIA)	1
4	112844	PLATE (EMERGENCY SWITCH)	1
5	116784	PLATE COMPLETE SET (DRAIN)	1
6	116787	PLATE (WARNING, EXHAUST GASES)	1
7	112811	PLATE (WARNING, EXHAUST GASES)	1
8	***	PLATE (IN-PANE)	1
9	***	PLATE (IN-PANE)	1
10	***	PLATE (WARNING, LAMP)	1
11	***	PLATE (IN-PANE)	1
12	116780	PLATE (START-STOP)	1
13	116797	PLATE (CAUTION)	1
14	112137	CAM LOCK MAXI-POWER25 DECAL	1
15	110286	DECAL BRAND SMALL BLACK ALLMAND	1
16	109013	DECAL MAXI-POWER 25	1

NS - Not Shown

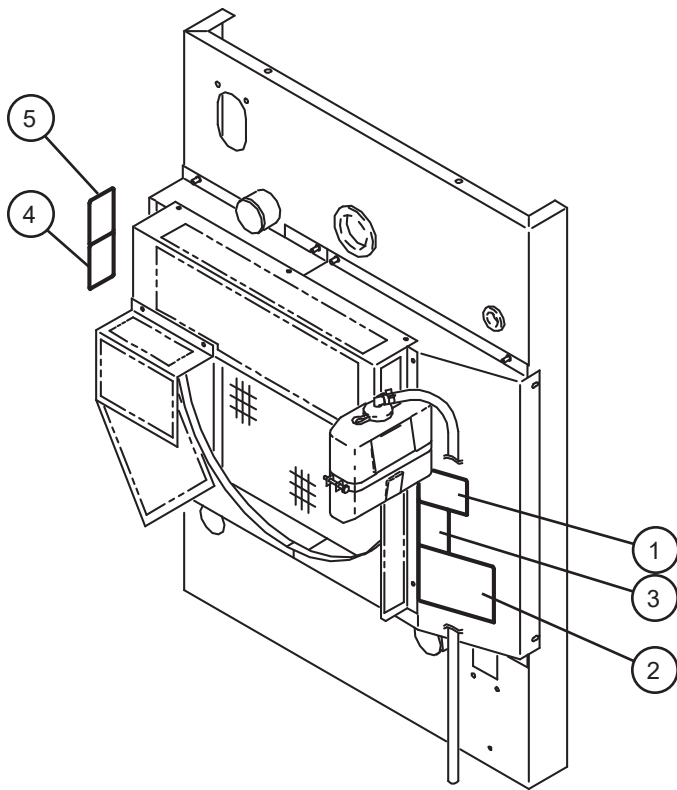
\*\*\* - Contact Allmand for more information.

## 4.4 - Enclosure Interior Decals

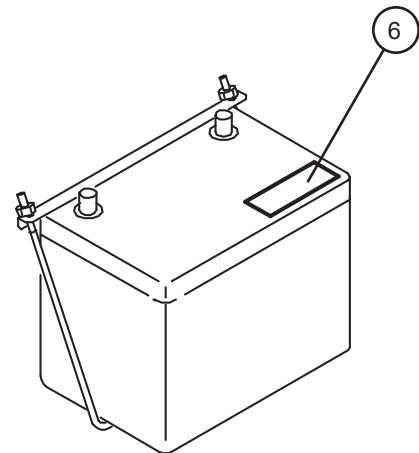
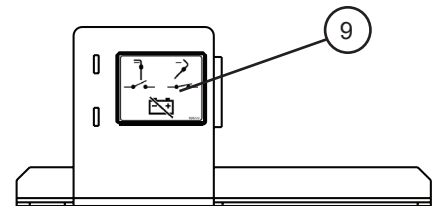
GENERATOR DETAIL



RADIATOR FINGER GUARD DETAIL



BATTERY DETAIL



110025\_A

# Maxi-Power™ 25

SN 21-000001 and UP

## 4.4 - Enclosure Interior Decals

Item	Allmand No.	Part Description	Qty.
1	116790	PLATE (LLC)	1
2	116795	PLATE (CHANGED FUEL REFILL)	1
3	***	PLATE (WARNING, COOLING FAN)	1
4	114418	PLATE (WARNING, PULLEY)	1
5	114416	PLATE (CAUTION, HIGH TEMPERATURE)	2
6	116785	PLATE (WARNING, BATTERY)	1
7	116782	PLATE (INDICATOR)	1
8	116783	PLATE (INDICATOR)	1
9	104777	DECAL BATTERY DISCONNECT	1

NS - Not Shown

\*\*\* - Contact Allmand for more information.

# Maxi-Power™ 25



1502 West 4th Avenue  
Holdrege, NE 68949

phone: (308) 995-4495 • toll free: (800) 562-1373

fax: (308) 995-5887

[www.allmand.com](http://www.allmand.com)